

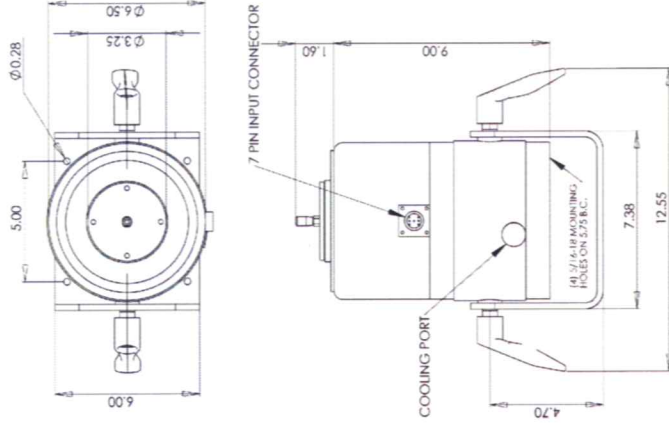
# ELECTRODYNAMIC EXCITER (DUAL PURPOSE)

## PERFORMANCE

Sine Force	110 (489)
Random Force	75 (334)
Shock Force (50 ms)	225 (1000)
Max. Displacement	
Continuous pk-pk	1.0 (25.4)
Between Stops <sup>1</sup>	1.03 (26.2)
Frequency Range <sup>1</sup>	DC-6,500
Fundamental Resonance <sup>1</sup>	4,000-5,000
Maximum Velocity	70 (1,778)
Acceleration <sup>1,2</sup>	
Bare Table	110
1 lb load	55
5 lb load	18
Maximum Acceleration	
Resonant	150
Peak Shock	200

## PHYSICAL

Armature Weight	1.0 (0.45)
Suspension Stiffness	90 (15.8)
Rated Drive Current	22
Stray magnetic field	<20
Measured 1.5" above table	<25
Measured 1.0" from body	175
Field Power	100 / 15
Cooling Air	CFM / in H <sub>2</sub> O
Dimensions	11.7 x 12.5 x 6.5 (297 x 318 x 165)
Shaker Weight (including trunnion)	56 (25)



PD-1377

## NOTES:

- 1 Load dependent
- 2 Please see systems ratings for additional specs.

## SUPPLIED ACCESSORIES:

- Qty 1 exciter cable
- Qty 1 modal stinger kit

**All specifications are at room temperature unless otherwise specified.**

ICP® is a registered trademark of PCB Piezotronics, Inc.

In the interest of constant product improvement, specifications may change without notice.