

Model Number:
2075E

ELECTRODYNAMIC EXCITER (DUAL PURPOSE)

Revision: B
ECN #:

PERFORMANCE

Sine Force	lbf pk (N pk)	40 (178)
Natural Air Cooling	lbf pk (N pk)	75 (334)
With Forced Air Cooling		
Random Force		
Natural Air Cooling	lbf rms (N rms)	28 (125)
With Forced Air Cooling	lbf rms (N rms)	50 (222)
Shock Force (50 ms)	lbf pk (N pk)	150 (667)
Max. Displacement	in (mm)	1.0 (25)
Continuous pk-pk	in (mm)	1.03 (26)
Between Stops	Hz	DC-6500
Frequency Range ¹	Hz	> 4000
Fundamental Resonance ¹	ips pk (m/s pk)	70 (1.8)
Maximum Velocity		
Acceleration ^{1,2}	g pk	75
Bare Table	g pk	35
1 lb load	g pk	12
5 lb load		
Maximum Acceleration	g pk	120
Resonance	g pk	150
Peak Shock		

PHYSICAL

Armature Weight	lb (kg)	1.0 (0.454)
Suspension Stiffness	lbf/in (N/mm)	60 (10.5)
Rated Drive Current	A rms	11
Natural Cooling	A rms	22
With Cooling Vacuum	Gauss	<15
Stray Magnetic Field	Gauss	<20
1.5" above table	cfm/15 in H ₂ O	100
1.0" from body	in (mm) HxWxD	10.5 x 12.55 x 6.5 (267 x 319 x 165)
Cooling Air	lbs (kg)	35 (16)
Dimensions		
Shaker Weight		

All specifications are at room temperature unless otherwise specified.

ICP® is a registered trademark of PCB Piezotronics, Inc.

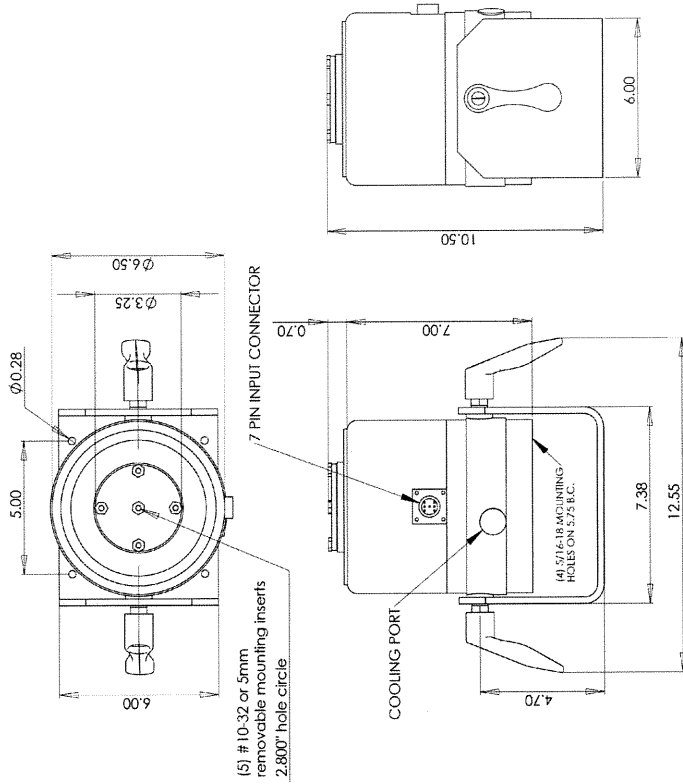
In the interest of constant product improvement, specifications may change without notice.

THE MODAL SHOP
MTMS
A PCB GROUP CO.

**3149 East Kemper Road
Cincinnati, OH 45241**

**800-860-4867 Fax (513) 458-52172
513-351-9919**

info@modalshop.com
SAM-F020 revNR 04/04/03



RELATED EQUIPMENT

- 2050E05 Power Amplifier, selectable voltage / current control, 500 VA
- 2150G12 Modal Stingers, 1/16" diameter rod with 10-32 threaded end, pack of three
- 2155G12 Modal Stingers, 3/32" diameter rod with 10-32 threaded end, pack of three
- K2160G Plano Wire Stinger Kit, includes quick disconnect load cell adapter
- 2050A Lateral Excitation Stand
- 2050E03 Cooling Package, 110V portable
- 2100E16 Cooling Package, 220V portable

NOTES:

- 1 Load dependent
- 2 Please see systems ratings for additional specs.

SUPPLIED ACCESSORIES:

- Qty 1 exciter cable
- Qty 1 modal stinger kit

Project Engineer:
ATG

Product Manager:
MR

Mkt Team Leader:
DMW

Spec Number:
PS-0055

Date: **1/28/10**

Date: **1/25/10**

Date: **1/25/10**