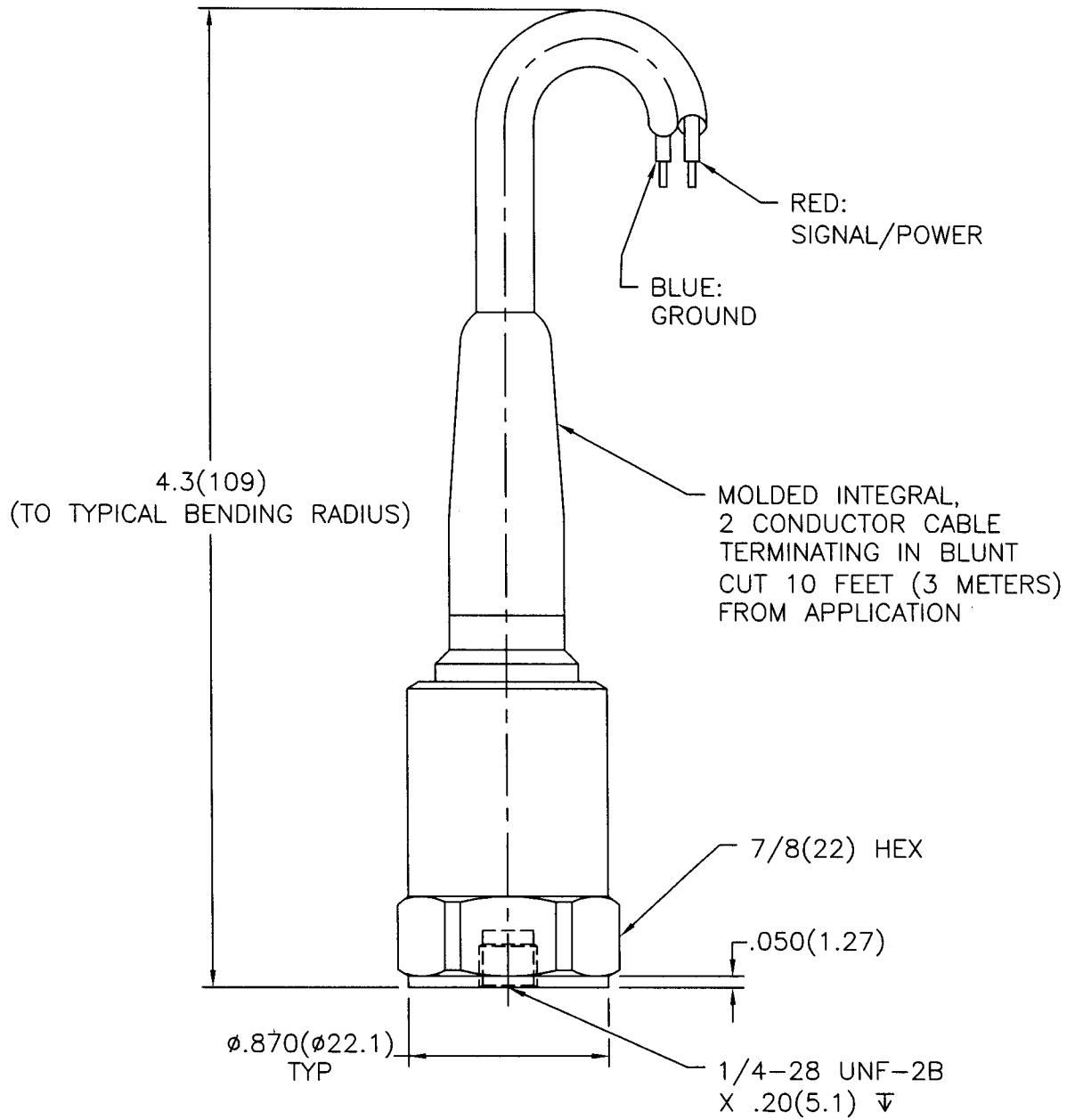


12849

PCB Piezotronics Inc. claims proprietary rights in the information disclosed hereon. Neither it nor any reproduction thereof will be disclosed to others without written consent of PCB Piezotronics Inc.

APPLICATION		
NEXT ASS'Y	USED ON	VAR

REVISIONS				
REV	DESCRIPTION	ECN	DATE	APP'D
A	UPDATE FOR UNIFORMITY	13113	2/21/01	



UNLESS SPECIFIED TOLERANCES		DRAWN					PCB PIEZOTRONICS™	
DIMENSIONS IN INCHES	DIMENSIONS IN MILLIMETERS (IN PARENTHESIS)	MVS	3/20/01	MFG	P.J.	3/21/01	3425 WALDEN AVE. DEPEW, NY 14043 (716) 684-0001 EMAIL: SALES@PCB.COM	CODE IDENT. NO. 52681
DECIMALS XX ±.01 XXX ±.005	DECIMALS XX ±0.3 XXX ±0.13	CHK'D	sm	ENGR	UF	3/16/01		
ANGLES ±2 DEGREES	ANGLES ±2 DEGREES	APP'D	Ma	SALES	E67	3/23/01		
FILLETS AND RADII .003 - .005	FILLETS AND RADII (0.07 - 0.13)	TITLE					DWG. NO.	12849
DD011 REV. B 03/13/98		OUTLINE DRAWING MODEL VO622A11, M VELOCITY OUTPUT SENSOR					SCALE: 1.33X	SHEET 1 OF 1