

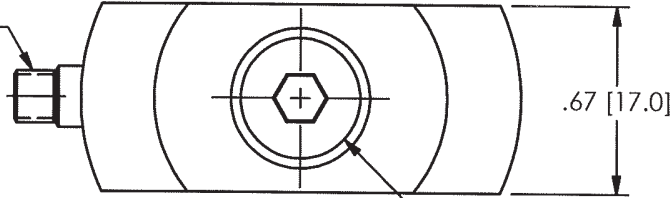
22493

PCB Piezotronics Inc. claims proprietary rights in the information disclosed hereon. Neither it nor any reproduction thereof will be disclosed to others without the written consent of PCB Piezotronics Inc.

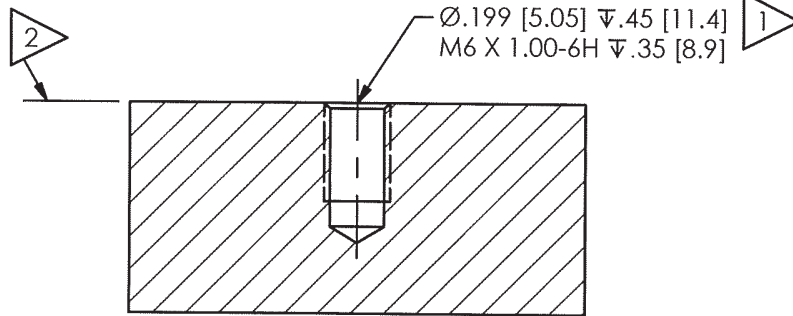
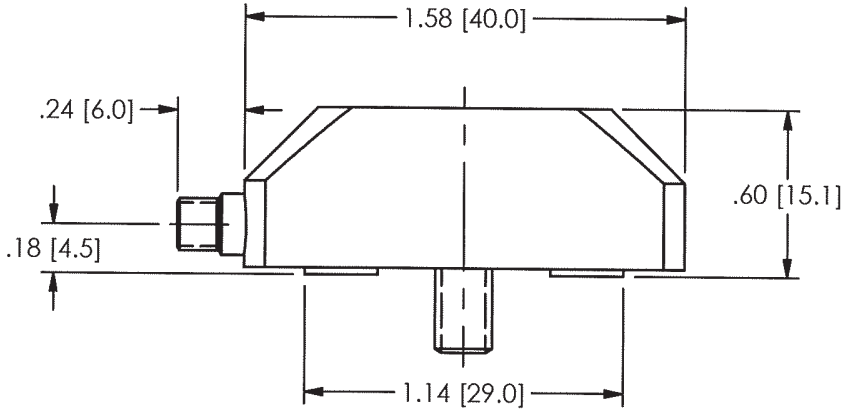
REVISIONS

REV	DESCRIPTION	DIN
B	MAKE MODEL NUMBER MORE GENERIC & UPDATE DIMENSIONS	35661

ELECTRICAL CONNECTOR
10-32 UNF-2A



M6 X 1.00-6g X .87 [22.0] LONG
FLAT HEAD HEX SCREW
MODEL M081A100



2 MOUNTING SURFACE MUST BE FLAT TO WITHIN .001 [.03] WITH AT LEAST A 125 [3.2] FINISH.

1 DRILL PERPENDICULAR TO MOUNTING SURFACE TO WITHIN 1°.

UNLESS OTHERWISE SPECIFIED TOLERANCES ARE:		DRAWN	CHECKED	ENGINEER		
DIMENSIONS IN INCHES	DIMENSIONS IN MILLIMETERS [IN BRACKETS]	MDF 5/6/11	ECB Sg4	JDK 5/6/11		3425 WALDEN AVE. DEPEW, NY 14043 (716) 684-0001 E-MAIL: sales@pcb.com
DECIMALS XX ±.01 XXX ±.005	DECIMALS X ±0.3 XX ±0.13	TITLE INSTALLATION DRAWING MODEL 240XXX SERIES STRAIN SENSOR			CODE IDENT. NO. 52681	DWG. NO. 22493
ANGLES ± 2 DEGREES	ANGLES ± 2 DEGREES				SCALE: 1.5X	SHEET 1 OF 1
FILLETS AND RADII .003 - .005	FILLETS AND RADII 0.07 - 0.13					