

2

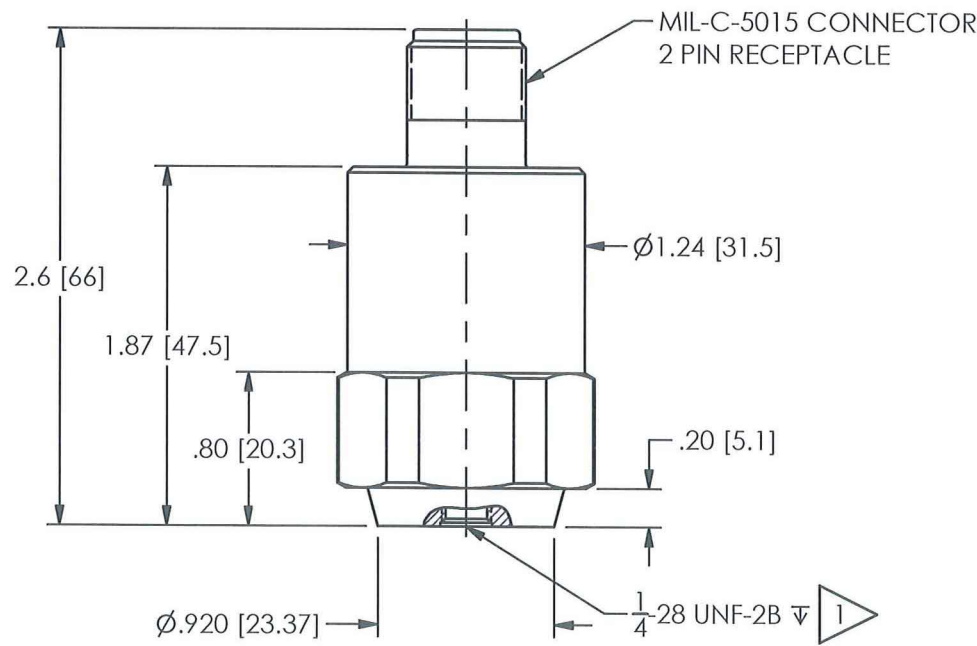
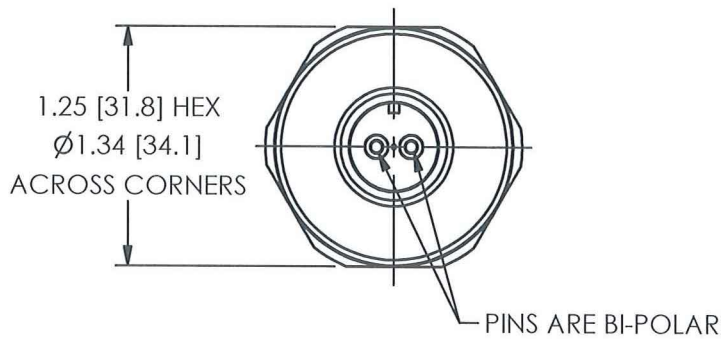
1

PCB Piezotronics Inc. claims proprietary rights in the information disclosed hereon. Neither it nor any reproduction thereof will be disclosed to others without the written consent of PCB Piezotronics Inc.

REVISIONS

| REV | DESCRIPTION                        | DIN   |
|-----|------------------------------------|-------|
| B   | TITLE WAS: BEARING FAULT PROTECTOR | 42229 |

45610



1 MODEL 081A40 MOUNTING STUD SUPPLIED AS STANDARD. FOR M PREFIXES (M649A03)  
 MODEL M081A61 (M6 X 1.0 TO 1/4-28) MOUNTING STUD REPLACES 081A40.

|  |   |  |         |          |  |                       |
|--|---|--|---------|----------|--|-----------------------|
| UNLESS OTHERWISE SPECIFIED TOLERANCES ARE: |   | DRAWN  | CHECKED | ENGINEER | <br>3425 WALDEN AVE. DEPEW, NY 14043<br>(716) 684-0001 E-MAIL: sales@pcb.com |                       |
| DIMENSIONS IN INCHES                       | DIMENSIONS IN MILLIMETERS [IN BRACKETS] | AF   | 1/9/14  | AF       |  | 1/9/14                |
| DECIMALS XX ±.03<br>XXX ±.010              | DECIMALS X ± 0.8<br>XX ± 0.25           | TITLE  |         |          |  | CODE IDENT. NO. 52681 |
| ANGLES ± 2 DEGREES                         | ANGLES ± 2 DEGREES                      | OUTLINE DRAWING<br>MODEL 649A03<br>BEARING FAULT DETECTOR PLUS |         |          |  | DWG. NO. 45610        |
| FILLETS AND RADII .003 - .005              | FILLETS AND RADII 0.07 - 0.13           |  |         |          | SCALE: FULL  | SHEET 1 OF 1          |

2

1