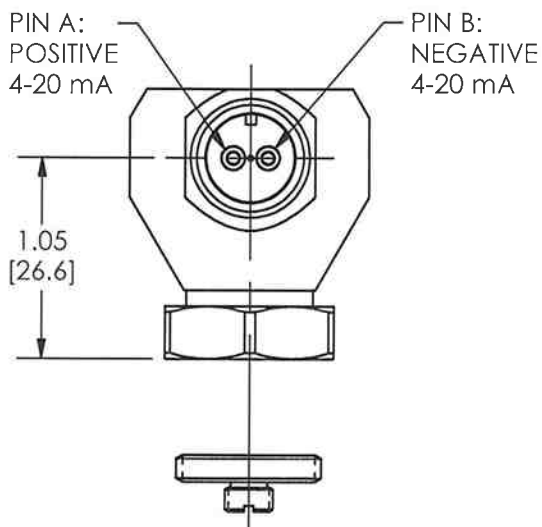
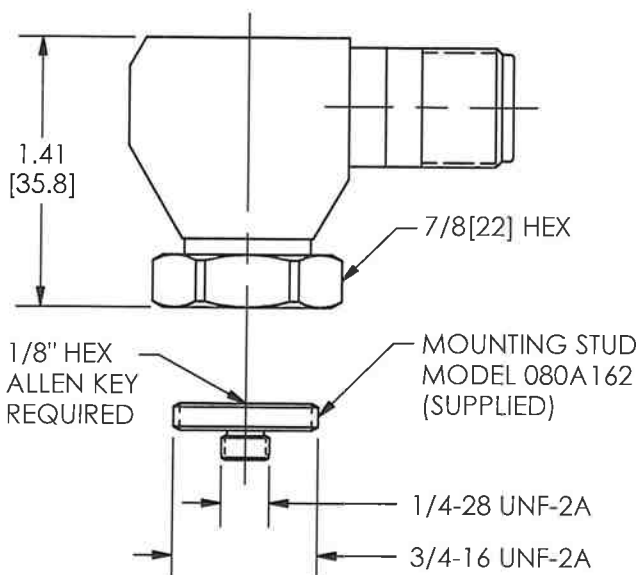
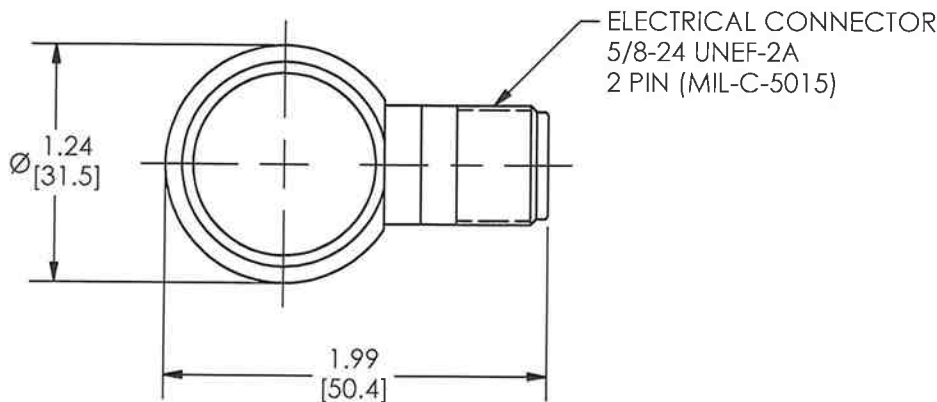


PCB Piezotronics Inc. claims proprietary rights in the information disclosed hereon. Neither it nor any reproduction thereof will be disclosed to others without the written consent of PCB Piezotronics Inc.

REVISIONS

REV	DESCRIPTION	ECN	APP'D
B	REVISED PER ECR	21205	DM 12/04
C	CORRECT METRIC DIMENSION	29338	ECB 9/08

21592



UNLESS OTHERWISE SPECIFIED TOLERANCES ARE:

DIMENSIONS IN INCHES

DECIMALS XX ± .03
 XXX ± .010
 ANGLES ± 2 DEGREES

DIMENSIONS IN MILLIMETERS [IN BRACKETS]

DECIMALS X ± 0.8
 XX ± 0.25
 ANGLES ± 2 DEGREES

FILLETS AND RADII .003 - .005

FILLETS AND RADII [0.07 - 0.13]

DRAWN	ECB	9/9/08	MFG	LD	9/9/08
CHK'D	ECB	9/9/08	ENGR	DORT	9/9/08
APP'D	NF	9/9/08	SALES	JAJ	9/9/08

TITLE
 OUTLINE DRAWING
 MODEL 642A0X(M), 643A0X(M),
 647A0X(M), 648A0X(M)
 4-20 VIBRATION SENSING TRANSMITTER



3425 WALDEN AVE. DEPEW, NY 14043
 (716) 684-0001 E-MAIL: sales@pcb.com

CODE IDENT. NO. 52681
 DWG. NO. 21592

SCALE: FULL SHEET 1 OF 1