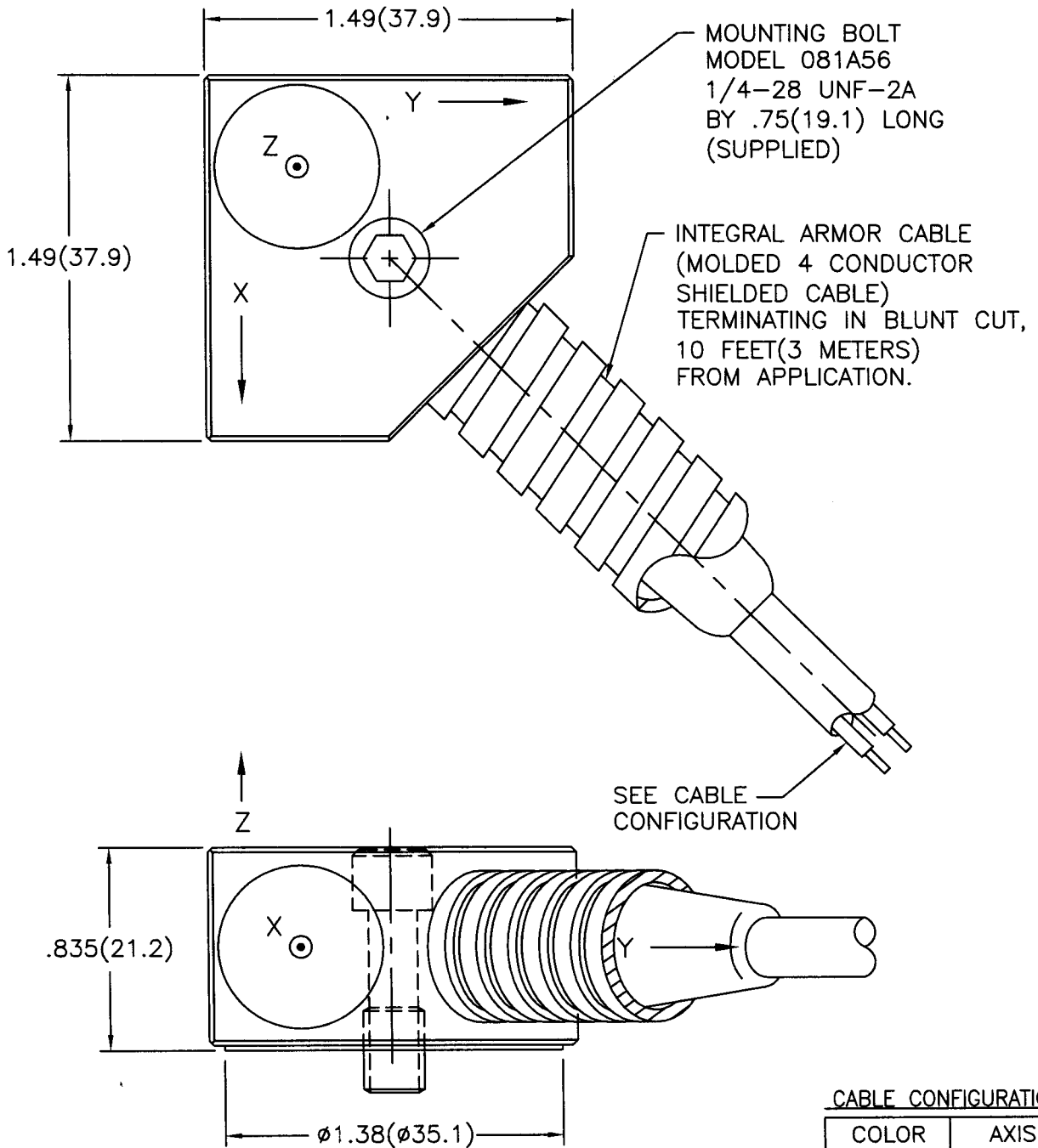


7801

PCB Piezotronics Inc. claims proprietary rights in the information disclosed herein. Neither it nor any reproduction thereof will be disclosed to others without written consent of PCB Piezotronics Inc.

APPLICATION		
NEXT ASS'Y	USED ON	VAR

REVISIONS				
REV	DESCRIPTION	ECN	DATE	APP'D
A	REVISED PER ECN	8747	2/17/98	DM3/98
B	UPDATE FOR UNIFORMITY	13113	2/21/01	DM3/01



CABLE CONFIGURATION

COLOR	AXIS
RED	"X"
GREEN	"Y"
WHITE	"Z"
BLACK	GROUND

▲ FOR METRIC TRIAXIAL ACCELEROMETER (M629A61, M629A62) USE MOUNTING BOLT MODEL M081A59, M6 X 1.00-6g X .787(20.0) LONG.

UNLESS SPECIFIED TOLERANCES		DRAWN	MVS	3.12.01	MFG	P.D.	3/21/01	PCB PIEZOTRONICS™ 3425 WALDEN AVE. DEPEW, NY 14043 (716) 684-0001 EMAIL: SALES@PCB.COM
DIMENSIONS IN INCHES	DIMENSIONS IN MILLIMETERS (IN PARENTHESIS)	CHK'D	DM	8/16/01	ENGR	U.F.	3/21/01	
DECIMALS XX ±.01 XXX ±.005	DECIMALS XX ±0.3 XXX ±0.13	APP'D	ma	3/22/01	SALES	EGY	3/23/01	
ANGLES ±2 DEGREES	ANGLES ±2 DEGREES	TITLE OUTLINE DRAWING MODELS 629A61, M, A62, M TRIAxIAL ACCELEROMETER						CODE IDENT. NO. 52681
FILLETs AND RADII .003 - .005	FILLETs AND RADII (0.07 - 0.13)	DWG. NO. 7801						SCALE: 1.5X
DD011 REV. B 03/13/98		SHEET 1 OF 1						