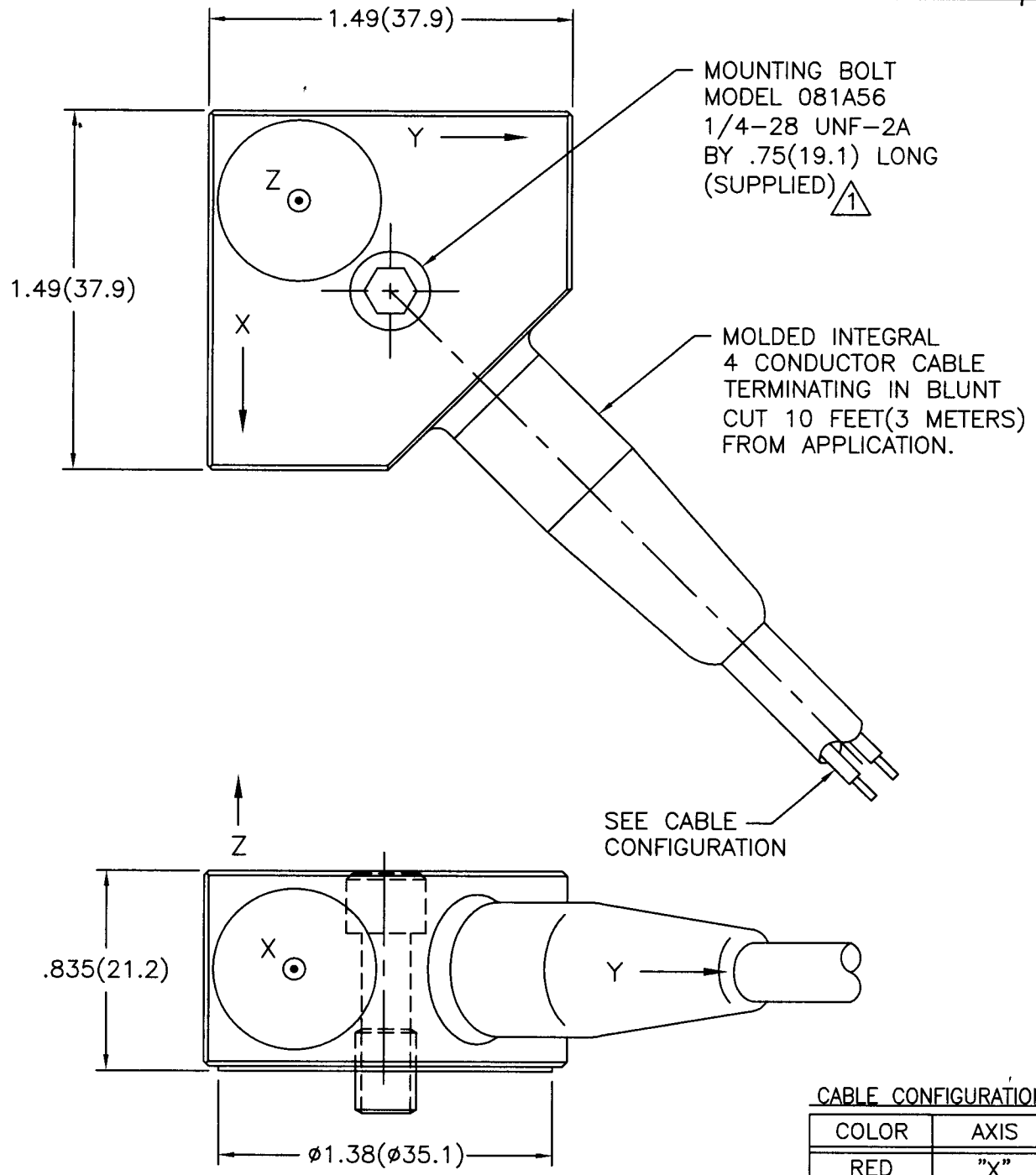


7796

PCB Piezotronics Inc. claims proprietary rights in the information disclosed hereon. Neither it nor any reproduction thereof will be disclosed to others without written consent of PCB Piezotronics Inc.

APPLICATION		
NEXT ASS'Y	USED ON	VAR

REVISIONS				
REV	DESCRIPTION	ECN	DATE	APP'D
A	REVISED PER ECN	8747	2/17/98	DM3/98
B	UPDATE FOR UNIFORMITY	13113	2/21/01	DM4/01



CABLE CONFIGURATION

COLOR	AXIS
RED	"X"
GREEN	"Y"
WHITE	"Z"
BLACK	GROUND

$\triangle$ 1 FOR METRIC TRIAXIAL ACCELEROMETER (M629A11, M629A12) USE MOUNTING BOLT MODEL M081A59, M6 X 1.00-6g X .787(20.0) LONG.

UNLESS SPECIFIED TOLERANCES		DRAWN	MWS 3/12/01	MFG	L.D. 3/12/01	<p>3425 WALDEN AVE. DEPEW, NY 14043 (716) 684-0001 EMAIL: SALES@PCB.COM</p>
DIMENSIONS IN INCHES	DIMENSIONS IN MILLIMETERS (IN PARENTHESIS)	CHK'D	DM 3/16/01	ENGR	U.F. 3/16/01	
DECIMALS XX $\pm$ .01 XXX $\pm$ .005	DECIMALS XX $\pm$ 0.3 XXX $\pm$ 0.13	APP'D	MWA 3/22/01	SALES	6643/23/01	
ANGLES $\pm$ 2 DEGREES	ANGLES $\pm$ 2 DEGREES	TITLE		CODE IDENT. NO.	DWG. NO.	
FILLETS AND RADII .003 - .005	FILLETS AND RADII (0.07 - 0.13)	<p>OUTLINE DRAWING MODELS 629A11, M, A12, M TRIAxIAL ACCELEROMETER</p>				7796
DD011 REV. B 03/13/98	SCALE: 1.5X				SHEET 1 OF 1	