

APPLICATION

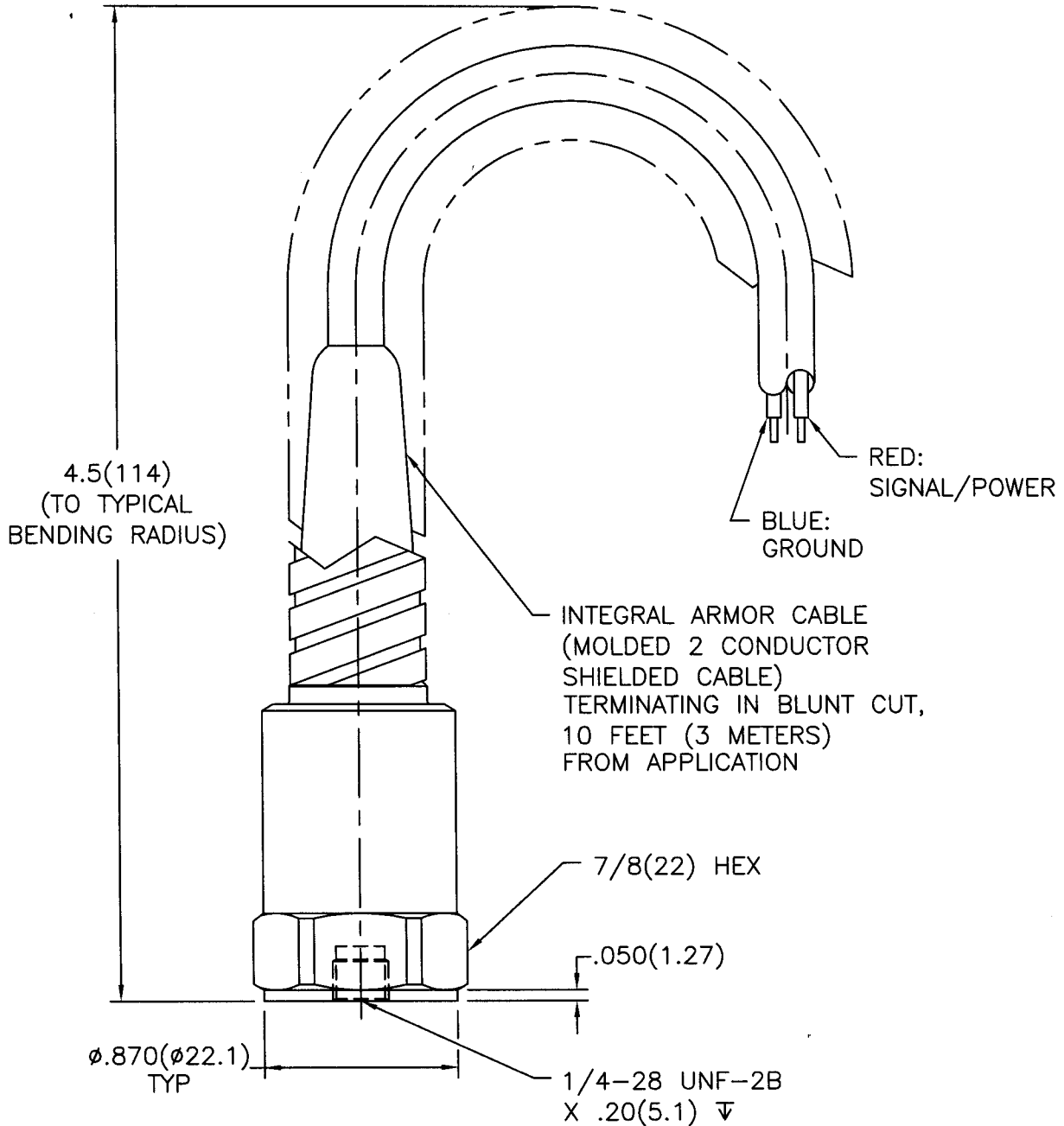
NEXT ASS'Y	USED ON	VAR

REVISIONS

REV	DESCRIPTION	ECN	DATE	APP'D
A	UPDATE FOR UNIFORMITY	13113	2/21/01	DM 3/7

7875

PCB Piezotronics Inc. claims proprietary rights in the information disclosed hereon. Neither it nor any reproduction thereof will be disclosed to others without written consent of PCB Piezotronics Inc.



4.5(114)
(TO TYPICAL
BENDING RADIUS)

RED:
SIGNAL/POWER

BLUE:
GROUND

INTEGRAL ARMOR CABLE
(MOLDED 2 CONDUCTOR
SHIELDED CABLE)
TERMINATING IN BLUNT CUT,
10 FEET (3 METERS)
FROM APPLICATION

7/8(22) HEX

.050(1.27)

0.870(22.1)
TYP

1/4-28 UNF-2B
X .20(5.1) ▽

UNLESS SPECIFIED TOLERANCES

DIMENSIONS IN INCHES	DIMENSIONS IN MILLIMETERS (IN PARENTHESIS)
DECIMALS XX ±.01	DECIMALS XX ±0.3
XXX ±.005	XXX ±0.13
ANGLES ±2 DEGREES	ANGLES ±2 DEGREES
FILLETS AND RADII .003 - .005	FILLETS AND RADII (0.07 - 0.13)

DRAWN	MWS 3/12/01	MFG	P.J. 3/21/01
CHK'D	DM 3/16/01	ENGR	N.F. 3/12/01
APP'D	MD 3/21/01	SALES	EGY 3/23/01

PCB PIEZOTRONICS
 3425 WALDEN AVE. DEPEW, NY 14043
 (716) 684-0001 EMAIL: SALES@PCB.COM

TITLE
 OUTLINE DRAWING
 MODEL 628F61, M
 ACCELEROMETER

CODE IDENT. NO. 52681
 DWG. NO. 7875