

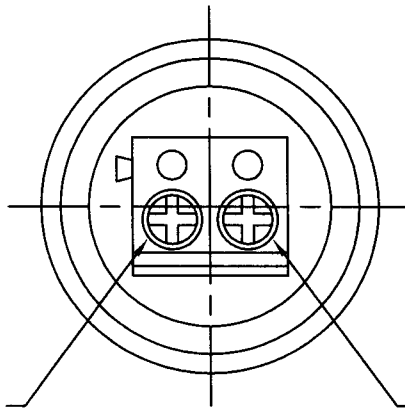
7802

PCB Piezotronics Inc. claims proprietary rights in the information disclosed hereon. Neither it nor any reproduction thereof will be disclosed to others without written consent of PCB Piezotronics Inc.

APPLICATION		
NEXT ASS'Y	USED ON	VAR

REVISIONS				
REV	DESCRIPTION	ECN	DATE	APP'D
A	UPDATE FOR UNIFORMITY	13113	2/21/01	Om 3/01

TOP VIEW OF CONNECTOR



SIG/PWR

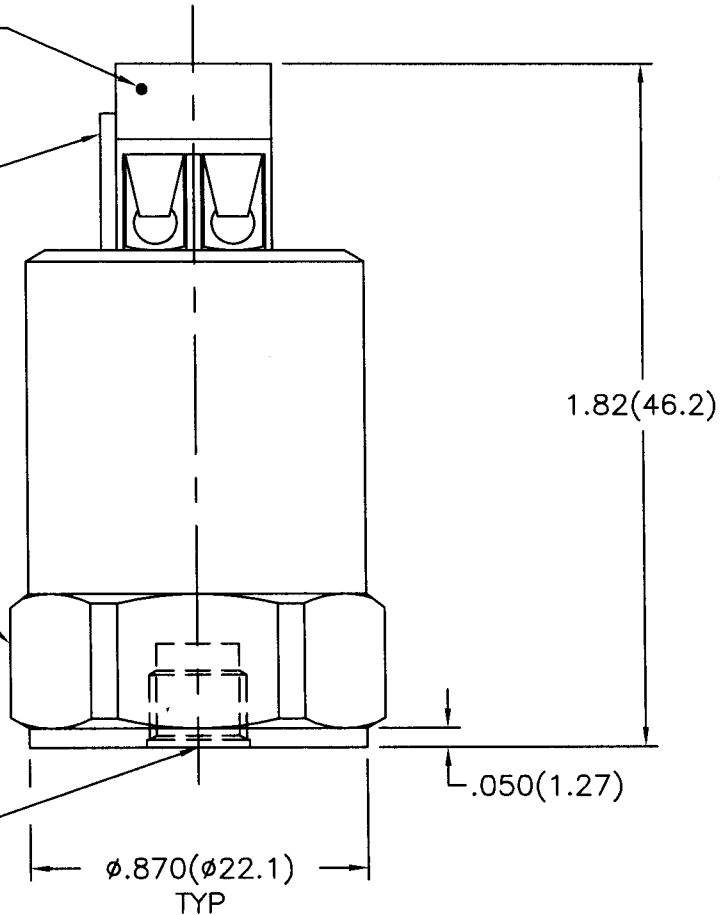
GROUND

RED DOT

ELECTRICAL CONNECTOR  
2-SOCKET  
TERMINAL BLOCK

7/8(22) HEX

1/4-28 UNF-2B  
X .20(5.1) ▽



UNLESS SPECIFIED TOLERANCES	
DIMENSIONS IN INCHES	DIMENSIONS IN MILLIMETERS (IN PARENTHESIS)
DECIMALS XX ±.01	DECIMALS XX ±0.3
XXX ±.005	XXX ±0.13
ANGLES ±2 DEGREES	ANGLES ±2 DEGREES
FILLETS AND RADII .003 - .005	FILLETS AND RADII (0.07 - 0.13)

DRAWN	MWS 3/12/01	MFG	R.L 3/21/01
CHK'D	Om 3/16/01	ENGR	N.F. 3/16/01
APP'D	MJ 3/22/01	SALES	EBY 3/23/01
TITLE OUTLINE DRAWING MODEL 627A71, M ACCELEROMETER			

**PCB PIEZOTRONICS™**  
3425 WALDEN AVE. DEPEW, NY 14043  
(716) 684-0001 EMAIL: SALES@PCB.COM

CODE IDENT. NO. 52681  
DWG. NO. 7802

SCALE: 2X SHEET 1 OF 1