

7922

PCB Piezotronics Inc. claims proprietary rights in the information disclosed hereon. Neither it nor any reproduction thereof will be disclosed to others without written consent of PCB Piezotronics Inc.

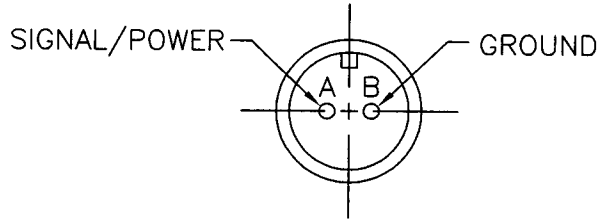
APPLICATION

NEXT ASS'Y	USED ON	VAR

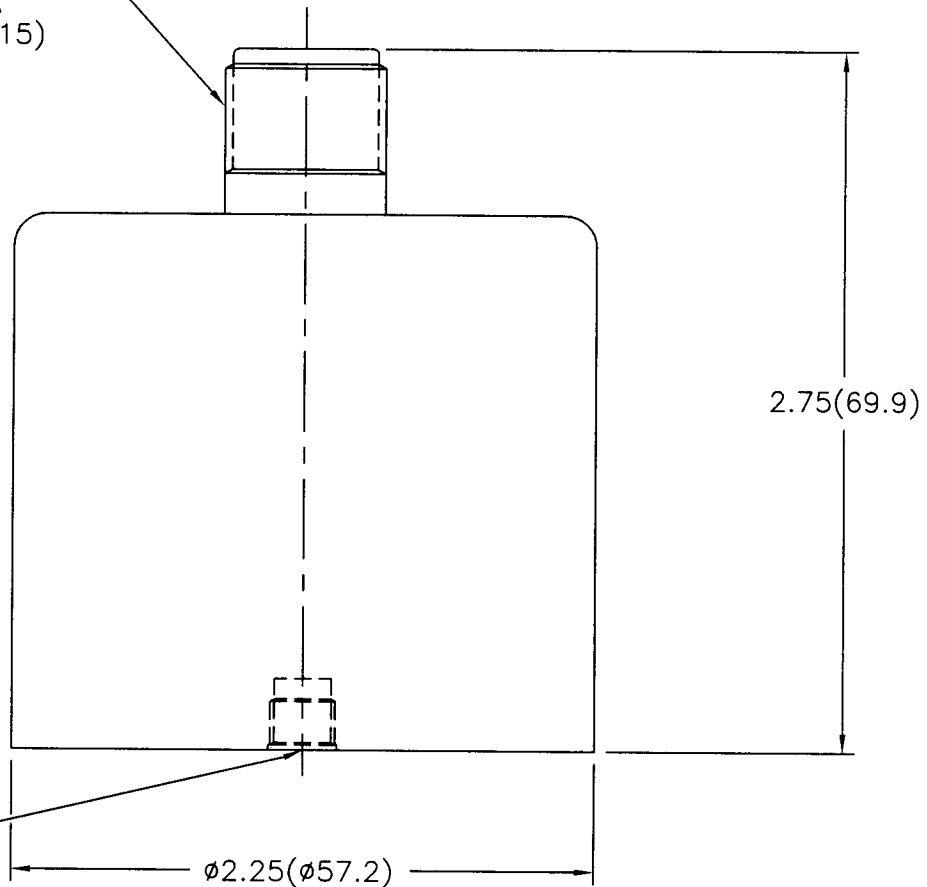
REVISIONS

REV	DESCRIPTION	ECN	DATE	APP'D
A	UPDATE FOR UNIFORMITY	13113	2/21/01	<i>DMJ/01</i>

TOP VIEW OF CONNECTOR



ELECTRICAL CONNECTOR
5/8-24 UNEF-2A
2 PIN (MIL-C-5015)



1/4-28 UNF-2B
X .20(5.1) ∇

UNLESS SPECIFIED TOLERANCES

DIMENSIONS IN INCHES	DIMENSIONS IN MILLIMETERS (IN PARENTHESIS)
DECIMALS XX ±.01	DECIMALS XX ±0.3
XXX ±.005	XXX ±0.13
ANGLES ±2 DEGREES	ANGLES ±2 DEGREES

DRAWN	<i>MWS</i>	<i>3.16.01</i>	MFG	<i>P.L.</i>	<i>3/21/01</i>
CHK'D	<i>DM</i>	<i>3/16/01</i>	ENGR	<i>N.F.</i>	<i>3/21/01</i>
APP'D	<i>MZ</i>	<i>3/21/01</i>	SALES	<i>ESY</i>	<i>3/23/01</i>

PCB PIEZOTRONICS
3425 WALDEN AVE. DEPEW, NY 14043
(716) 684-0001 EMAIL: SALES@PCB.COM

CODE IDENT. NO. 52681	DWG. NO. 7922
SCALE: 1.33X	SHEET 1 OF 1

TITLE
OUTLINE DRAWING
MODEL 626A04, M
SEISMIC ACCELEROMETER