

9591

PCB Piezotronics Inc. claims proprietary rights in the information disclosed hereon. Neither it nor any reproduction thereof will be disclosed to others without written consent of PCB Piezotronics Inc.

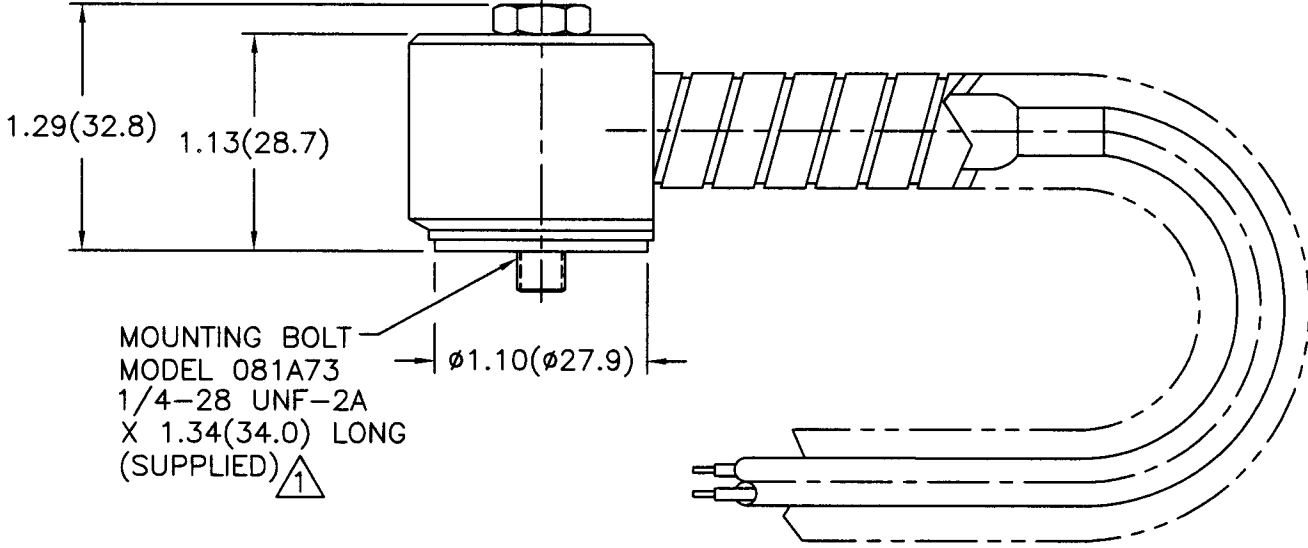
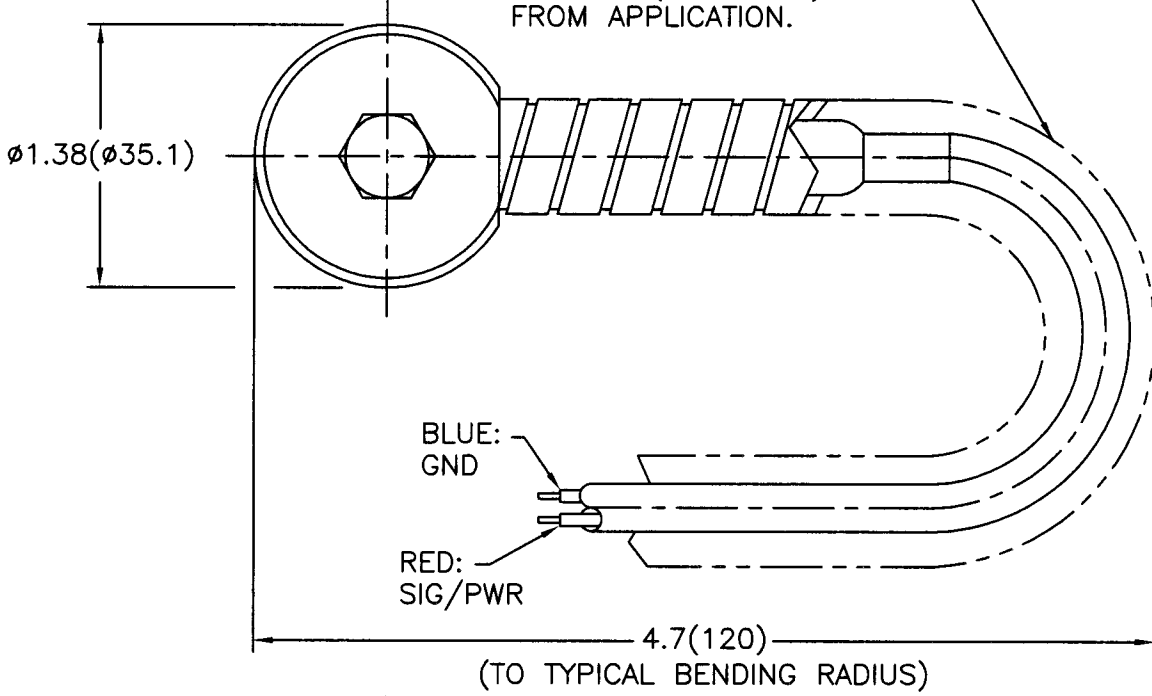
APPLICATION

NEXT ASS'Y	USED ON	VAR

REVISIONS

REV	DESCRIPTION	ECN	DATE	APP'D
B	UPDATE FOR UNIFORMITY	13113	2/21/01	
C	REVISED PER ECN	13903	8/13/01	DMJ/ST

INTEGRAL ARMOR CABLE
(MOLDED 2 CONDUCTOR
SHIELDED CABLE)
TERMINATING IN BLUNT CUT,
10 FEET (3 METERS)
FROM APPLICATION.



MOUNTING BOLT
MODEL 081A73
1/4-28 UNF-2A
X 1.34(34.0) LONG
(SUPPLIED) \triangle

\triangle FOR METRIC RING ACCELEROMETER (M625B60, B61, B62)
USE MOUNTING BOLT MODEL M081A73, M6 X 1.00-6g X 1.34(34.0) LONG.

UNLESS SPECIFIED TOLERANCES		DRAWN	MPS	8/13/01	MFG	P.J.	8-13-01	 3425 WALDEN AVE. DEPEW, NY 14043 (716) 684-0001 EMAIL: SALES@PCB.COM
DIMENSIONS IN INCHES	DIMENSIONS IN MILLIMETERS (IN PARENTHESIS)	CHK'D	am	8/13/01	ENGR	MQ	8-14-01	
DECIMALS XX ±.01 XXX ±.005	DECIMALS XX ±0.3 XXX ±0.13	APP'D	NC	8/16/01	SALES	EG	8/16/01	
ANGLES ±2 DEGREES	ANGLES ±2 DEGREES	TITLE						CODE IDENT. NO.
FILLETS AND RADII .003 - .005	FILLETS AND RADII (0.07 - 0.13)	OUTLINE DRAWING MODEL 625B60, M, B61, M, B62 M RING ACCELEROMETER						DWG. NO. 9591
DD011 REV. B 03/13/98								SCALE: FULL SHEET 1 OF 1