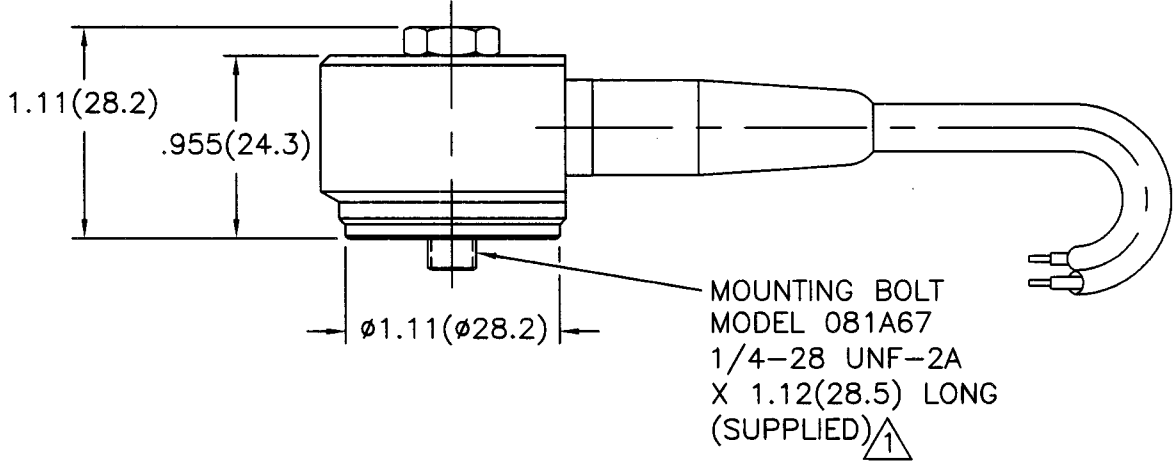
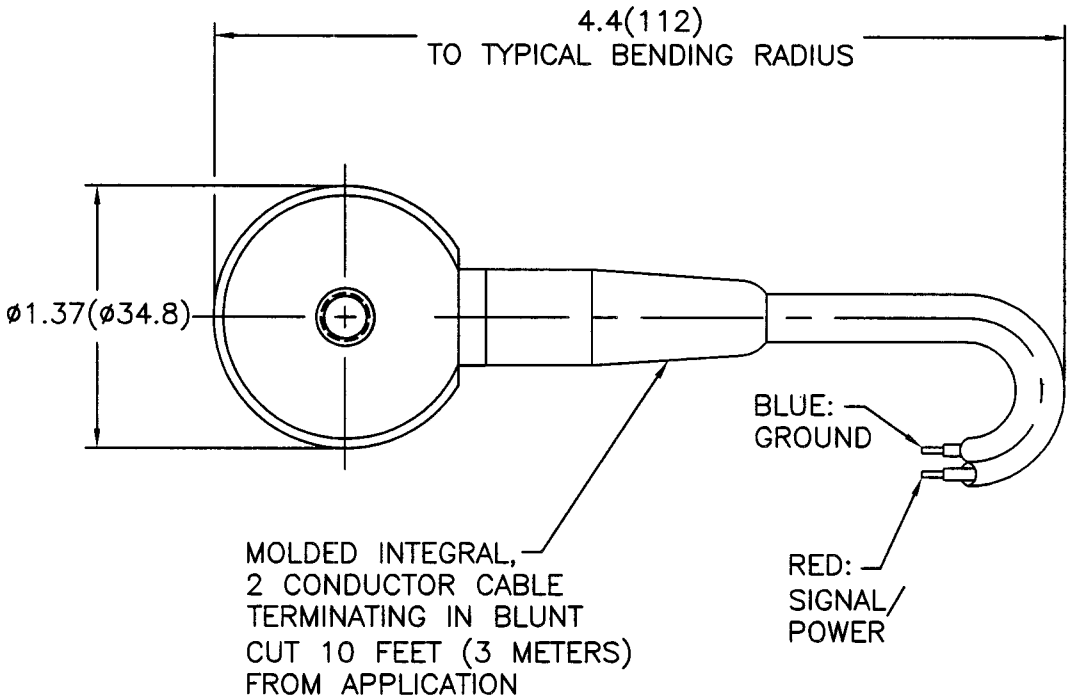


20625

PCB Piezotronics Inc. claims proprietary rights in the information disclosed herein. Neither it nor any reproduction thereof will be disclosed to others without written consent of PCB Piezotronics Inc.

APPLICATION		
NEXT ASS'Y	USED ON	VAR

REVISIONS				
REV	DESCRIPTION	ECN	DATE	APP'D
NR	RELEASED TO DRAFTING		9/23/02	<i>dmw</i>



\triangle FOR METRIC RING ACCELEROMETER (MODEL M624B11) USE MOUNTING BOLT MODEL M081A67, M6 X 1.00-6g X 1.12(28.5) LONG.

UNLESS SPECIFIED TOLERANCES		DRAWN	<i>MWS</i>	DATE	<i>10/1/02</i>	MFG	<i>P. D.</i>	 3425 WALDEN AVE. DEPEW, NY 14043 (716) 684-0001 EMAIL: SALES@PCB.COM
DIMENSIONS IN INCHES	DIMENSIONS IN MILLIMETERS (IN PARENTHESIS)	CHK'D	<i>dmw</i>	<i>10/1/02</i>	ENGR	<i>ms</i>	<i>10/1/02</i>	
DECIMALS XX ±.01 XXX ±.005	DECIMALS XX ±0.3 XXX ±0.13	APP'D	<i>U.A.</i>	<i>10/1/02</i>	SALES	<i>EBT</i>	<i>10/8/02</i>	
ANGLES ±2 DEGREES	ANGLES ±2 DEGREES	TITLE					CODE IDENT. NO.	DWG. NO.
FILLETS AND RADII .003 - .005	FILLETS AND RADII (0.07 - 0.13)	OUTLINE DRAWING MODEL 624B11, M RING ACCELEROMETER					52681	20625
DD011 REV. B 03/13/98							SCALE: FULL	SHEET 1 OF 1