

2

1

APPLICATION

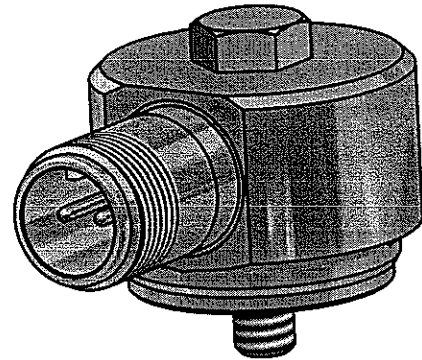
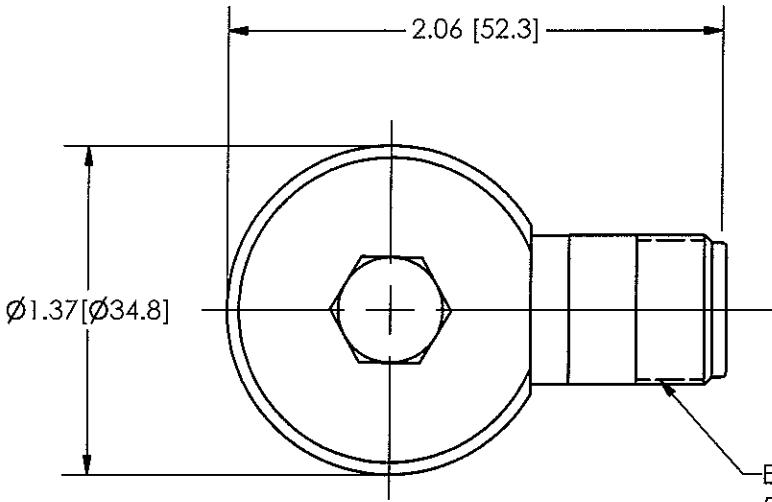
REVISIONS

19620

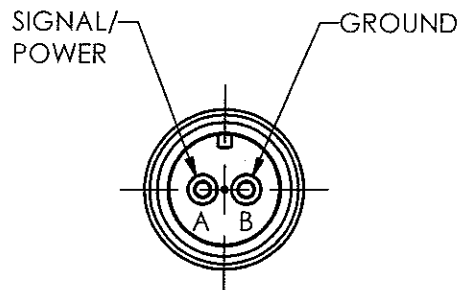
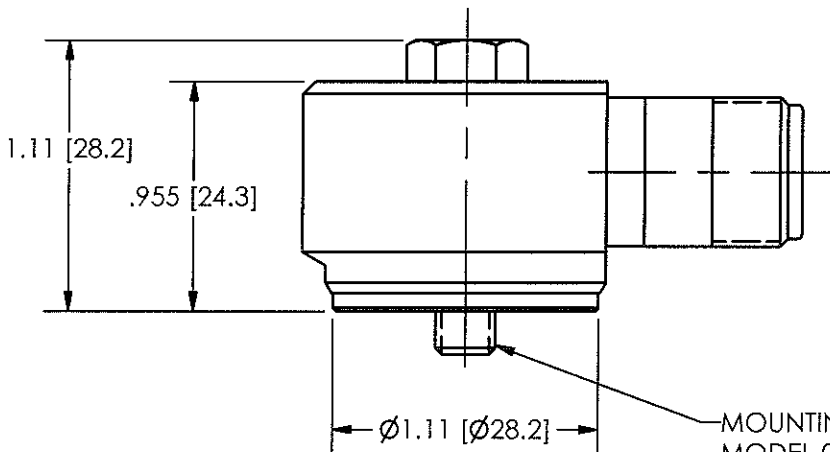
NEXT ASS'Y	USED ON	VAR

REV	DESCRIPTION	ECN	APP'D
A	REVISED PER ECN	16189	DM 10/03
B	ADDED "HT" TO TITLE	23198	ECB 11/23/05

PCB Piezotronics Inc. claims proprietary rights in the information disclosed hereon. Neither it nor any reproduction thereof will be disclosed to others without the written consent of PCB Piezotronics Inc.



ELECTRICAL CONNECTOR
5/8-24 UNEF-2A
2-PIN (MIL-C-5015)



END VIEW OF CONNECTOR

MOUNTING BOLT
MODEL 081A67
1/4-28 UNF-2A
X 1.12 [28.5] LONG
(SUPPLIED)

1 FOR METRIC RING ACCELEROMETER (MODEL M624B01) USE MOUNTING BOLT MODEL M081A67, M6 X 1.00-6g X 1.12 [28.5] LONG.

UNLESS OTHERWISE SPECIFIED TOLERANCES ARE:

DIMENSIONS IN INCHES	DIMENSIONS IN MILLIMETERS [IN BRACKETS]
DECIMALS XX ± .03 XXX ± .010 ANGLES ± 2 DEGREES	DECIMALS X ± 0.8 XX ± 0.25 ANGLES ± 2 DEGREES
FILLETS AND RADII .003 - .005	FILLETS AND RADII [0.07 - 0.13]

DRAWN	RCE 11/23/05	MFG	AWD 11/24/05
CHK'D	ECB 11/23/05	ENGR	AWB 11/23/05
APP'D	U.F. 12/1/05	SALES	AWA 11/24/05
TITLE			

OUTLINE DRAWING
MODEL 624B01, HT, M
RING ACCELEROMETER

PCB PIEZOTRONICS[™]
3425 WALDEN AVE. DEPEW, NY 14043
(716) 684-0001 E-MAIL: sales@pcb.com

CODE IDENT. NO. 52681	DWG. NO. 19620
SCALE: 1.25X	SHEET 1 OF 1

2

1