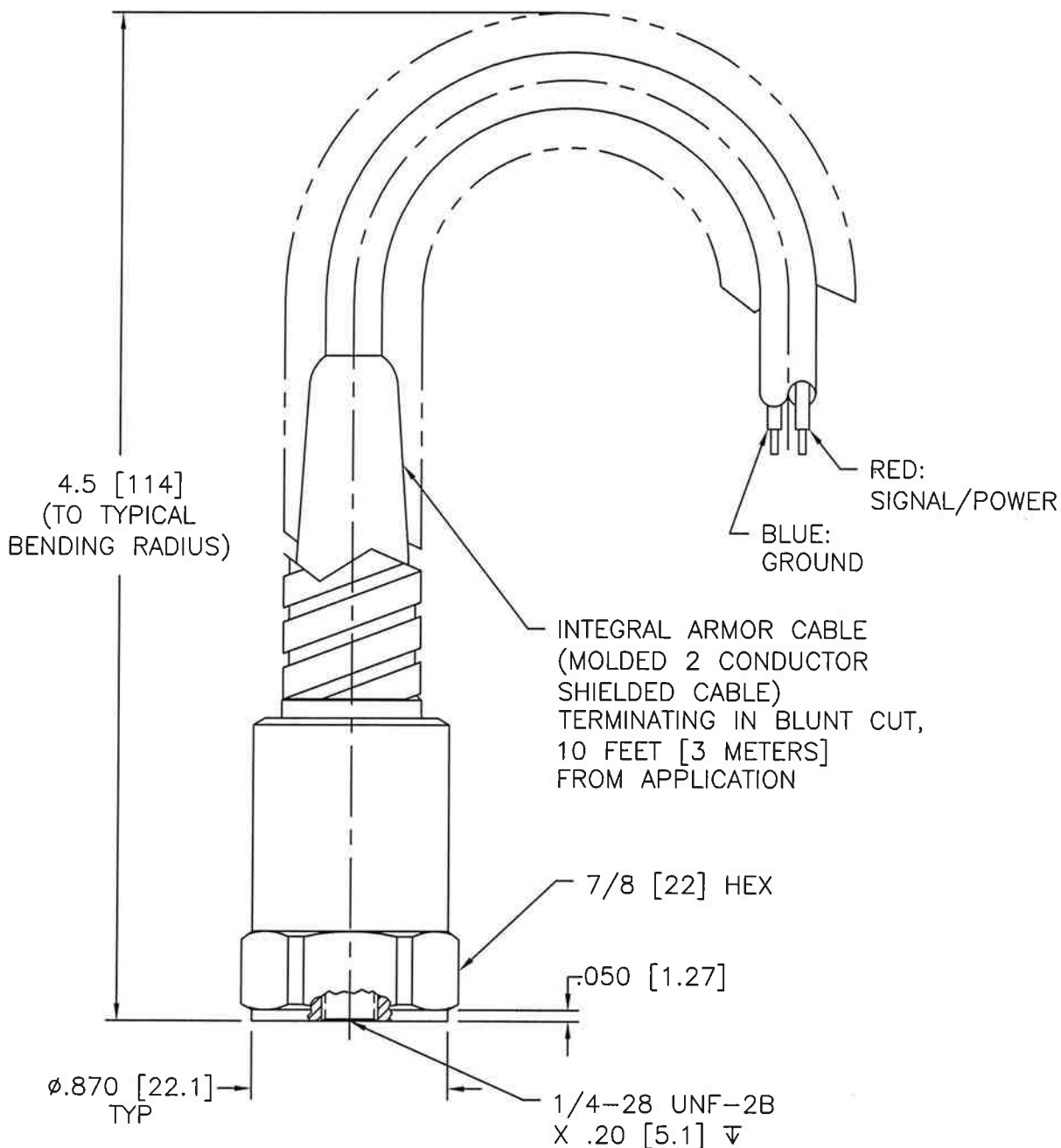


PCB Piezotronics Inc. claims proprietary rights in the information disclosed hereon. Neither it nor any reproduction thereof will be disclosed to others without written consent of PCB Piezotronics Inc.

REVISIONS

REV	DESCRIPTION	ECN	DATE	APP'D
NR	RELEASED TO DRAFTING		7/19/07	EBT/07

37840



UNLESS SPECIFIED TOLERANCES		DRAWN				MFG		PCB PIEZOTRONICS <sup>INC</sup>	
DIMENSIONS IN INCHES	DIMENSIONS IN MILLIMETERS [IN BRACKETS]	mpf	7/29/07	MFG	B	7/25/07	3425 WALDEN AVE. DEPEW, NY 14043		
DECIMALS XX ±.03	DECIMALS X ±0.8	CHK'D	ECB	ENGR	ISD	7/23/07	(716) 684-0001 EMAIL: SALES@PCB.COM		
XXX ±.010	XX ±0.25	APP'D	DR	SALES	DR	7-25-07	CODE IDENT. NO.	DWG. NO.	37840
ANGLES ±2 DEGREES	ANGLES ±2 DEGREES	TITLE				52681			
FILLETS AND RADII .003 - .005	FILLETS AND RADII [0.07 - 0.13]	OUTLINE DRAWING							
		MODEL 622B61, M							
		ACCELEROMETER				SCALE: FULL SHEET 1 OF 1			