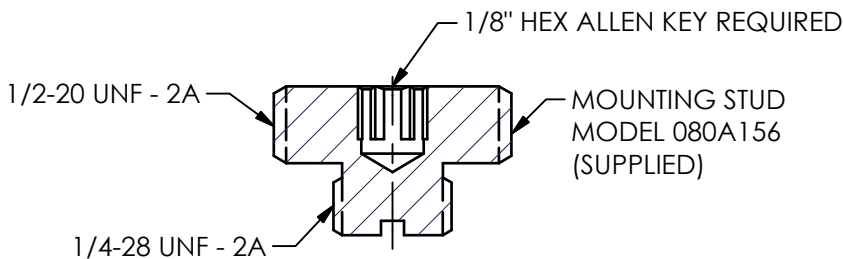
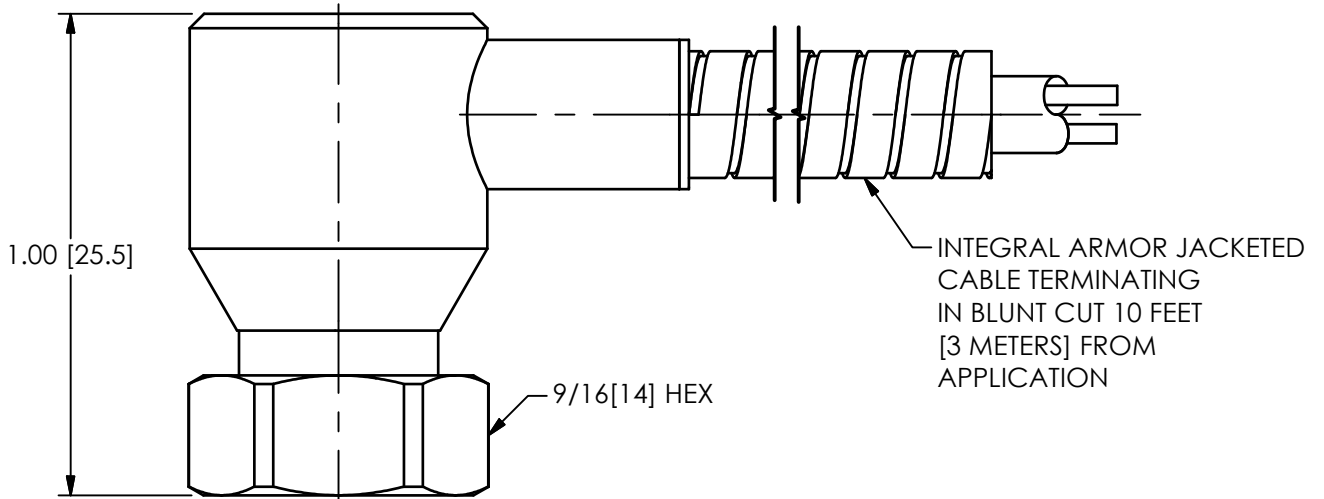
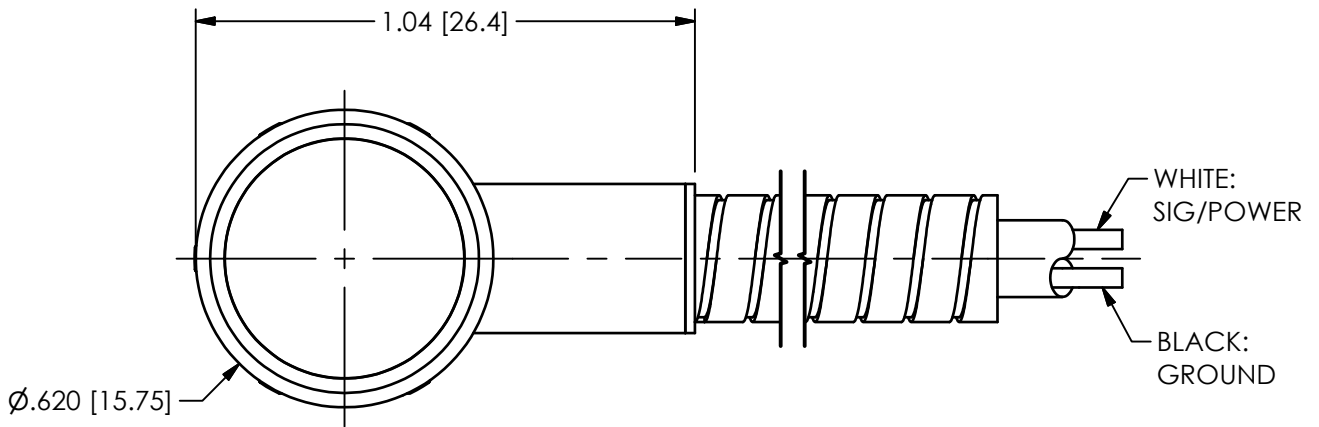


PCB Piezotronics Inc. claims proprietary rights in the information disclosed hereon. Neither it nor any reproduction thereof will be disclosed to others without the written consent of PCB Piezotronics Inc.

REVISIONS		
REV	DESCRIPTION	DIN
A	UPDATED TITLE	43420

58895



UNLESS OTHERWISE SPECIFIED TOLERANCES ARE:		DRAWN		CHECKED		ENGINEER		 3425 WALDEN AVE. DEPEW, NY 14043 (716) 684-0001 E-MAIL: sales@pcb.com		
DIMENSIONS IN INCHES	DIMENSIONS IN MILLIMETERS [IN BRACKETS]	JDM	10/6/14	ECB	10/6/14	DRK	10/6/14			
DECIMALS XX ±.03 XXX ±.010	DECIMALS X ± 0.8 XX ± 0.25	TITLE OUTLINE DRAWING 607A6X SERIES SPINDLER™							CODE IDENT. NO. 52681	DWG. NO. 58895
ANGLES ± 2 DEGREES	ANGLES ± 2 DEGREES								SCALE: 2.5X	
FILLETS AND RADII .003 - .005	FILLETS AND RADII 0.07 - 0.13									