

2

1

PCB Piezotronics Inc. claims proprietary rights in the information disclosed hereon. Neither it nor any reproduction thereof will be disclosed to others without the written consent of PCB Piezotronics Inc.

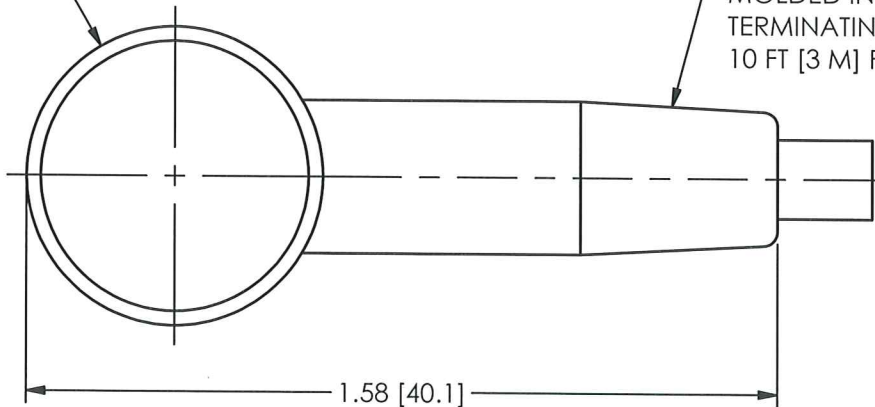
REVISIONS

REV	DESCRIPTION	DIN
D	UPDATED FORMAT	36127

12441

Ø.625 [15.88]

MOLDED INTEGRAL CABLE TERMINATING IN BLUNT CUT 10 FT [3 M] FROM APPLICATION



1.58 [40.1]

.98 [24.9]

WHITE: SIG/POWER

BLACK: GROUND

9/16 [14] HEX

1/8 HEX ALLEN KEY REQUIRED

MOUNTING STUD MODEL 080A156 (SUPPLIED)

1/2-20 UNF - 2A

1/4-28 UNF - 2A

UNLESS OTHERWISE SPECIFIED TOLERANCES ARE:

DIMENSIONS IN INCHES

DECIMALS XX ±.03
XXX ±.010

ANGLES ± 2 DEGREES

FILLETS AND RADII
.003 - .005

DIMENSIONS IN MILLIMETERS [IN BRACKETS]

DECIMALS X ± 0.8
XX ± 0.25

ANGLES ± 2 DEGREES

FILLETS AND RADII
0.07 - 0.13

DRAWN

SMB 6/27/11

CHECKED

[Signature] 6/27/11

ENGINEER

JDK 6/27/11

TITLE

OUTLINE DRAWING
MODEL 607 SERIES
ACCELEROMETER



3425 WALDEN AVE. DEPEW, NY 14043
(716) 684-0001 E-MAIL: sales@pcb.com

CODE IDENT. NO.
52681

DWG. NO.

12441

SCALE: 2.5X

SHEET 1 OF 1

2

1

1