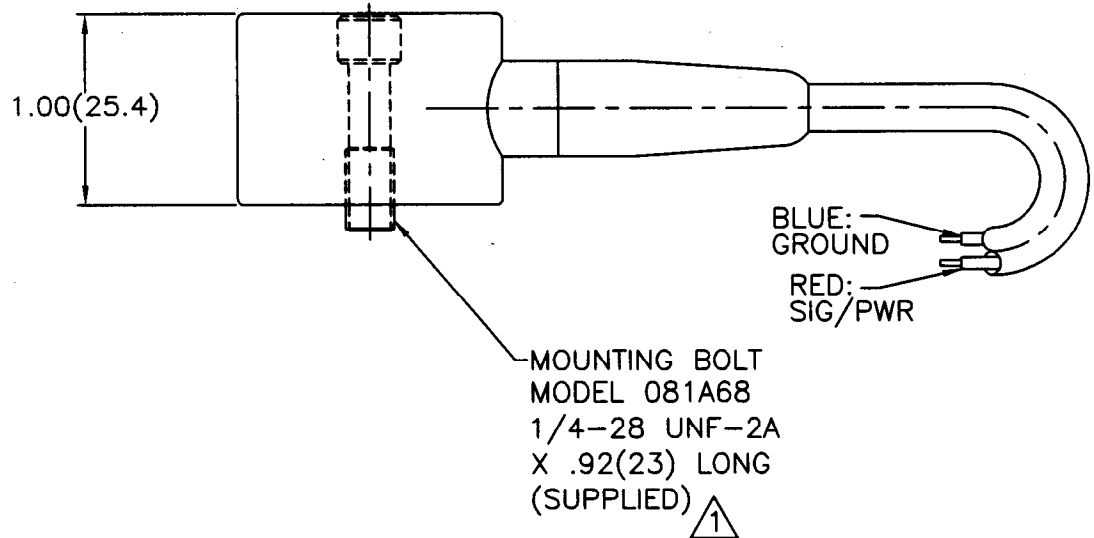
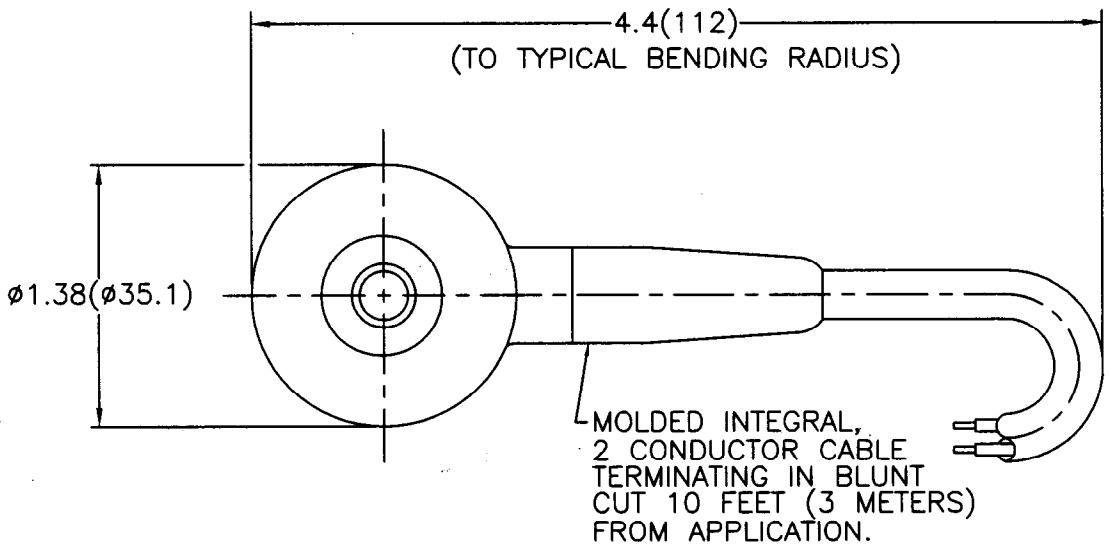


APPLICATION		
NEXT ASS'Y	USED ON	VAR

REVISIONS				
REV	DESCRIPTION	ECN	DATE	APP'D

17191

PCB Piezotronics Inc. claims proprietary rights in the information disclosed hereon. Neither it nor any reproduction thereof will be disclosed to others without written consent of PCB Piezotronics Inc.



\triangle FOR METRIC ACCELEROMETER (MODEL M606B11) USE MOUNTING BOLT MODEL M081A68, M6 X 1.00-6g X .92(23) LONG.

UNLESS SPECIFIED TOLERANCES		DRAWN	DATE	MFG	DATE	PCB PIEZOTRONICS™ 3425 WALDEN AVE. DEPEW, NY 14043 (716) 684-0001 EMAIL: SALES@PCB.COM	
DIMENSIONS IN INCHES	DIMENSIONS IN MILLIMETERS (IN PARENTHESIS)	DBT	9/25/01	P.D.	9/25/01		
DECIMALS XX ±.01 XXX ±.005	DECIMALS XX ±0.3 XXX ±0.13	CHK'D	DM	ENGR	9/25/01	CODE IDENT. NO. 52681	
ANGLES ±2 DEGREES	ANGLES ±2 DEGREES	APP'D	N.F.	SALES	9/25/01	DWG. NO. 17191	
FILLETS AND RADII .003 - .005	FILLETS AND RADII (0.07 - 0.13)	TITLE OUTLINE DRAWING MODEL 606B11, M ACCELEROMETER				SCALE: FULL	SHEET 1 OF 1
DD011 REV. B 03/13/98							