

13259

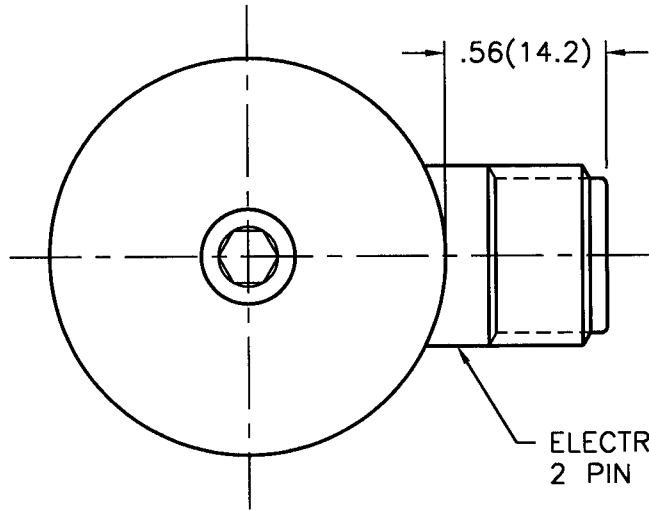
PCB Piezotronics Inc. claims proprietary rights in the information disclosed hereon. Neither it nor any reproduction thereof will be disclosed to others without written consent of PCB Piezotronics Inc.

APPLICATION

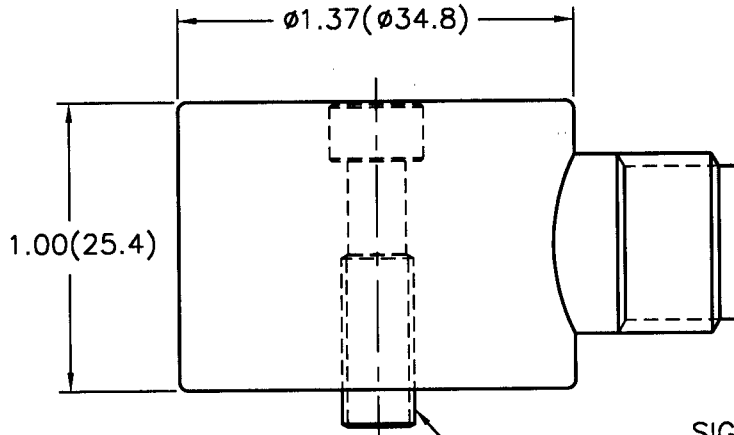
NEXT ASS'Y	USED ON	VAR

REVISIONS

REV	DESCRIPTION	ECN	DATE	APP'D

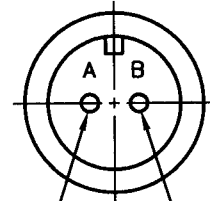


ELECTRICAL CONNECTOR
2 PIN (MIL-C-5015)



SOCKET HEAD MACHINE SCREW
1/4-28 UNF-2A
X .92(23.4) LONG
(SUPPLIED)

VIEW OF CONNECTOR



SIGNAL/POWER — GROUND

UNLESS SPECIFIED TOLERANCES	
DIMENSIONS IN INCHES	DIMENSIONS IN MILLIMETERS (IN PARENTHESIS)
DECIMALS XX ± .01	DECIMALS XX ± 0.3
XXX ± .005	XXX ± 0.13
ANGLES ± 2 DEGREES	ANGLES ± 2 DEGREES
FILLETS AND RADII .003 - .005	FILLETS AND RADII (0.07 - 0.13)

DRAWN	<i>rw</i>	4/13/00	MFG	<i>P.D</i>	4/17/00
CHK'D	<i>om</i>	4/14/00	ENGR	<i>MWS</i>	4/17/00
APP'D	<i>Dmb</i>	4/18/00			
TITLE OUTLINE DRAWING MODEL 606B01 ACCELEROMETER					

PCB PIEZOTRONICS
3425 WALDEN AVE. DEPEW, NY 14043
(716) 684-0001 EMAIL: SALES@PCB.COM

CODE IDENT. NO. 52681	DWG. NO. 13259
SCALE: 1.5X	SHEET 1 OF 1