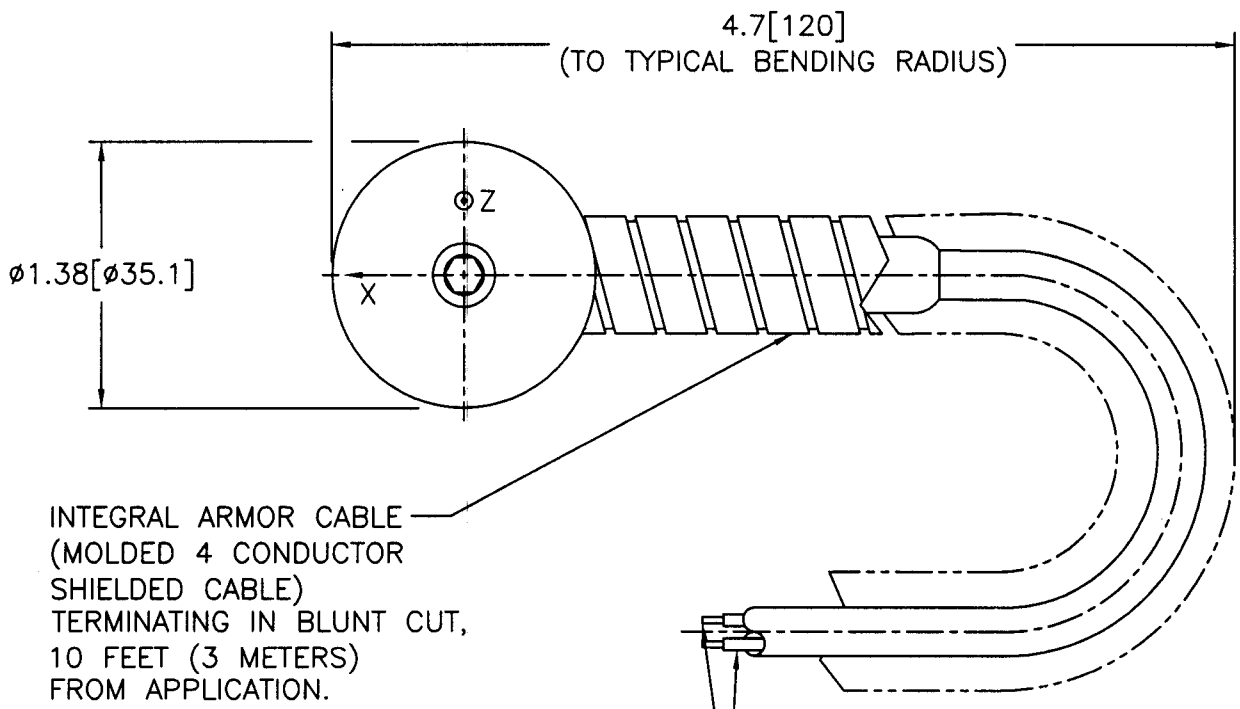


22848

PCB Piezotronics Inc. claims proprietary rights in the information disclosed hereon. Neither it nor any reproduction thereof will be disclosed to others without written consent of PCB Piezotronics Inc.

APPLICATION		
NEXT ASS'Y	USED ON	VAR

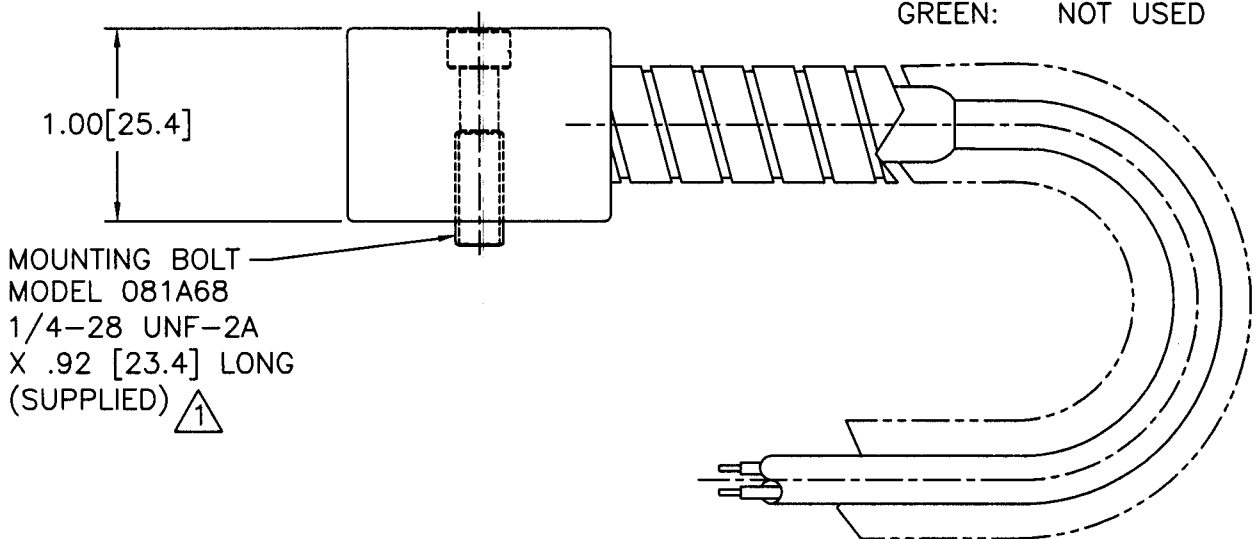
REVISIONS				
REV	DESCRIPTION	ECN	DATE	APP'D
NR	RELEASED TO DRAFTING		2/9/05	am2/05



SEE WIRE COLOR REFERENCE BELOW

WIRE COLOR REFERENCE

RED:	"X" AXIS
WHITE:	"Z" AXIS
BLACK:	GND
GREEN:	NOT USED



\triangle 1 FOR METRIC RING BIAxIAL ACCELEROMETER (MODEL M605B61) USE MOUNTING BOLT MODEL M081A68, M6 X 1.00-6g X .92[23] LONG.

UNLESS SPECIFIED TOLERANCES		DRAWN	RCE 2/9/05	MFG	P.L 2/9/05	 3425 WALDEN AVE. DEPEW, NY 14043 (716) 684-0001 EMAIL: SALES@PCB.COM
DIMENSIONS IN INCHES	DIMENSIONS IN MILLIMETERS [IN BRACKETS]	CHK'D	am 2/9/05	ENGR	LAB 2/9/05	
DECIMALS XX ±.03 XXX ±.010	DECIMALS X ±0.8 XX ±0.25	APP'D	UR 2/6/05	SALES	DL 2/9/05	CODE IDENT. NO. 52681
ANGLES ±2 DEGREES	ANGLES ±2 DEGREES	TITLE				DWG. NO. 22848
FILLETS AND RADII .003 - .005	FILLETS AND RADII [0.07 - 0.13]	OUTLINE DRAWING MODEL 605B61, M RING BIAxIAL ACCELEROMETER				SCALE: FULL SHEET 1 OF 1
DD011 REV. C 01/21/03						