

2

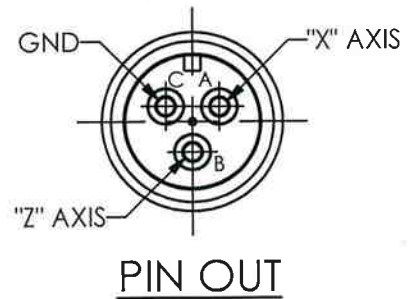
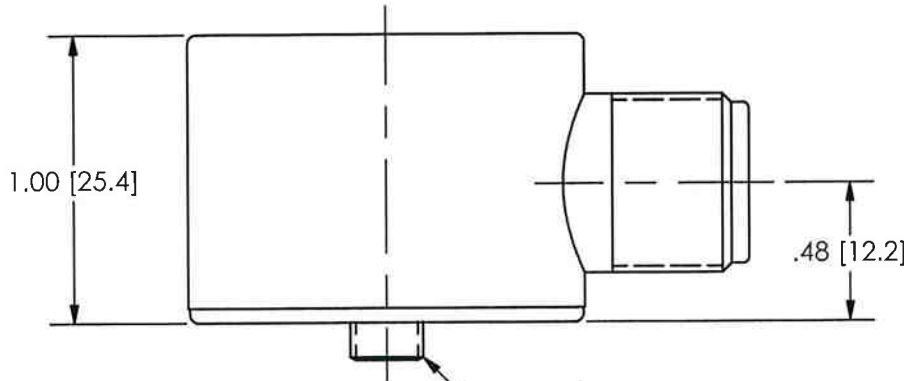
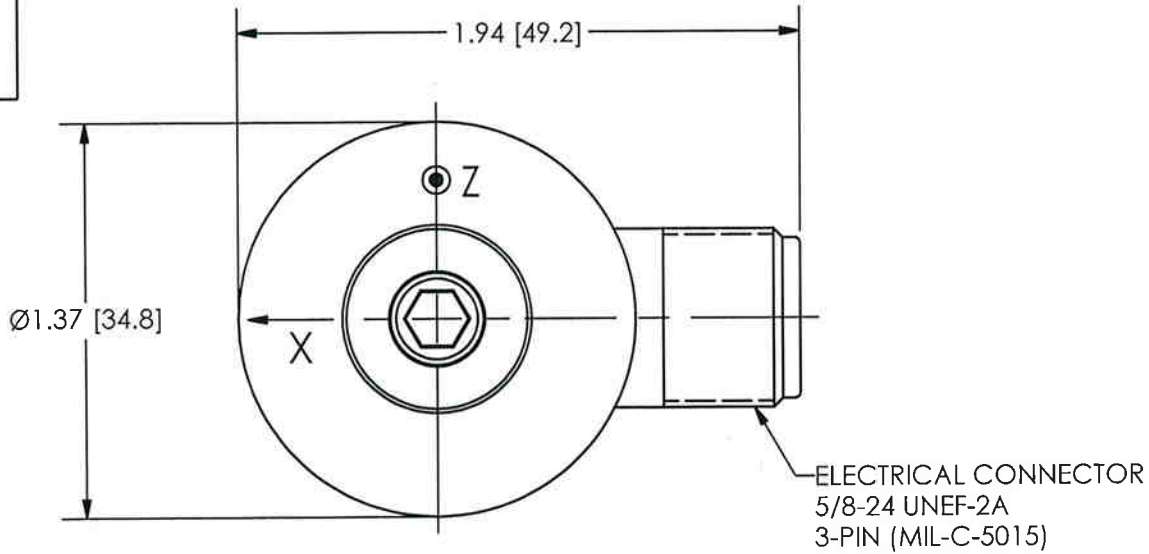
1

PCB Piezotronics Inc. claims proprietary rights in the information disclosed hereon. Neither it nor any reproduction thereof will be disclosed to others without the written consent of PCB Piezotronics Inc.

REVISIONS

REV	DESCRIPTION	ECN	APP'D
NR	RELEASED TO DRAFTING		ECB 11/2/08

41286



MOUNTING BOLT
 MODEL 081A68
 1/4-28 UNF-2A
 X .92 [23.4] LONG
 (SUPPLIED)

FOR METRIC RING BIAXIAL ACCELEROMETER (M605B02) USE MOUNTING BOLT MODEL M081A68, M6 X 1.00-6g X .92 [23] LONG.

UNLESS OTHERWISE SPECIFIED TOLERANCES ARE:		DRAWN	MDF	11/7/08	MFG	JB	11/10/08	 3425 WALDEN AVE. DEPEW, NY 14043 (716) 684-0001 E-MAIL: sales@pcb.com
DIMENSIONS IN INCHES	DIMENSIONS IN MILLIMETERS [IN BRACKETS]	CHK'D	ECB	11/2/08	ENGR	KA/B	11/11/08	
DECIMALS XX ± .03	DECIMALS X ± 0.8	APP'D	UJ	11/18/08	SALES	MRS	11/18/08	
XXX ± .010	XX ± 0.25	TITLE						CODE IDENT. NO. 52681
ANGLES ± 2 DEGREES	ANGLES ± 2 DEGREES	OUTLINE DRAWING						DWG. NO. 41286
FILLETS AND RADII .003 - .005	FILLETS AND RADII [0.07 - 0.13]	MODEL 605B02, M						SCALE: 1.5 X
		RING BIAXIAL ACCELEROMETER						SHEET 1 OF 1

2

1