

2

1

APPLICATION

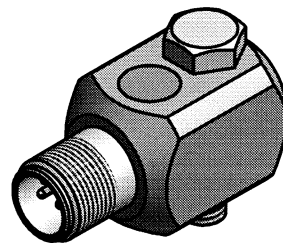
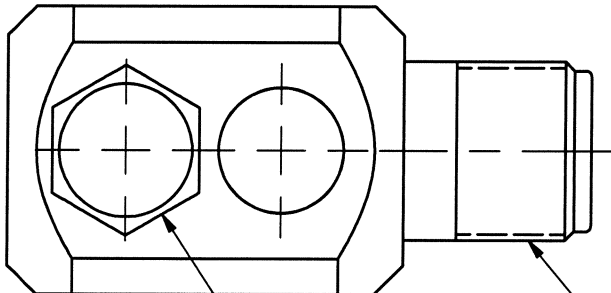
REVISIONS

| | | |
|------------|---------|-----|
| NEXT ASS'Y | USED ON | VAR |
| | | |

| | | | |
|-----|----------------------|-----|------------|
| REV | DESCRIPTION | ECN | APP'D |
| NR | RELEASED TO DRAFTING | | ECB 9/5/06 |

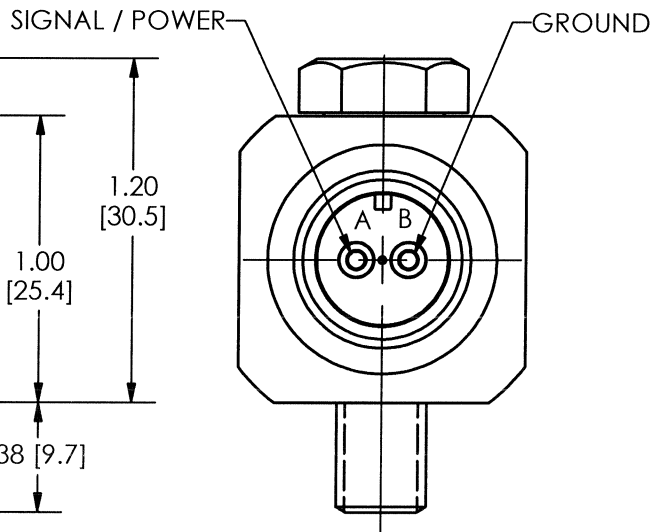
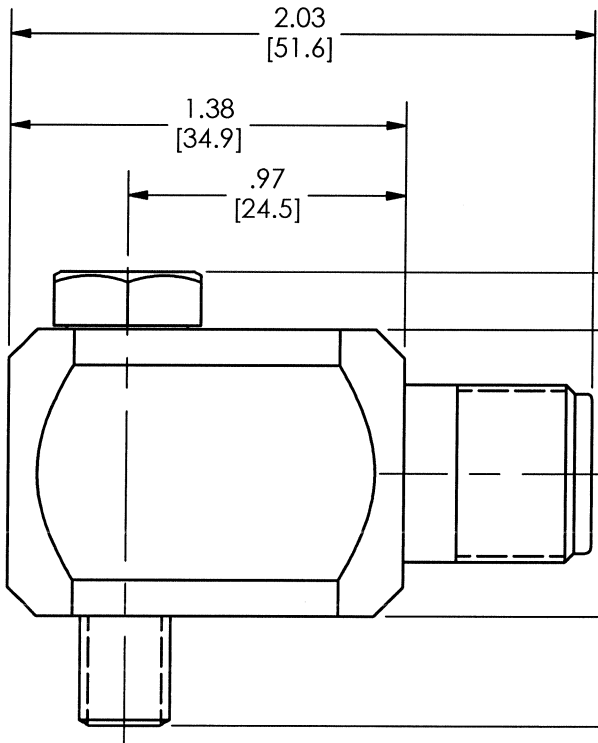
35202

PCB Piezotronics Inc. claims proprietary rights in the information disclosed hereon. Neither it nor any reproduction thereof will be disclosed to others without the written consent of PCB Piezotronics Inc.



MOUNTING BOLT
MODEL 081M171
M8 X 1.25-6g
1.38 [35] LONG
(SUPPLIED)

ELECTRICAL CONNECTOR
5/8-24 UNEF-2A
2 PIN (MIL-C-5015)



UNLESS OTHERWISE SPECIFIED TOLERANCES ARE:

DIMENSIONS IN INCHES

DIMENSIONS IN MILLIMETERS
[IN BRACKETS]

DECIMALS XX ± .03
XXX ± .010
ANGLES ± 2 DEGREES

DECIMALS X ± 0.8
XX ± 0.25
ANGLES ± 2 DEGREES

FILLETS AND RADII
003 - .005

FILLETS AND RADII
[0.07 - 0.13]

| | | | |
|-------|--------------------|-------|---------------------|
| DRAWN | <i>RAM</i> 9/5/06 | MFG | <i>P.D</i> 9/14/06 |
| CHK'D | ECB 9/5/06 | ENGR | <i>ECB</i> 9/14/06 |
| APP'D | <i>U.B</i> 9/14/06 | SALES | <i>CHEN</i> 9/14/06 |

PCB PIEZOTRONICS INC

3425 WALDEN AVE. DEPEW, NY 14043
(716) 684-0001 E-MAIL: sales@pcb.com

OUTLINE DRAWING
MODEL 602M42
ACCELEROMETER

CODE
IDENT. NO.
52681

DWG. NO.

35202

SCALE: FULL

SHEET 1 OF 1

2

1