

APPLICATION

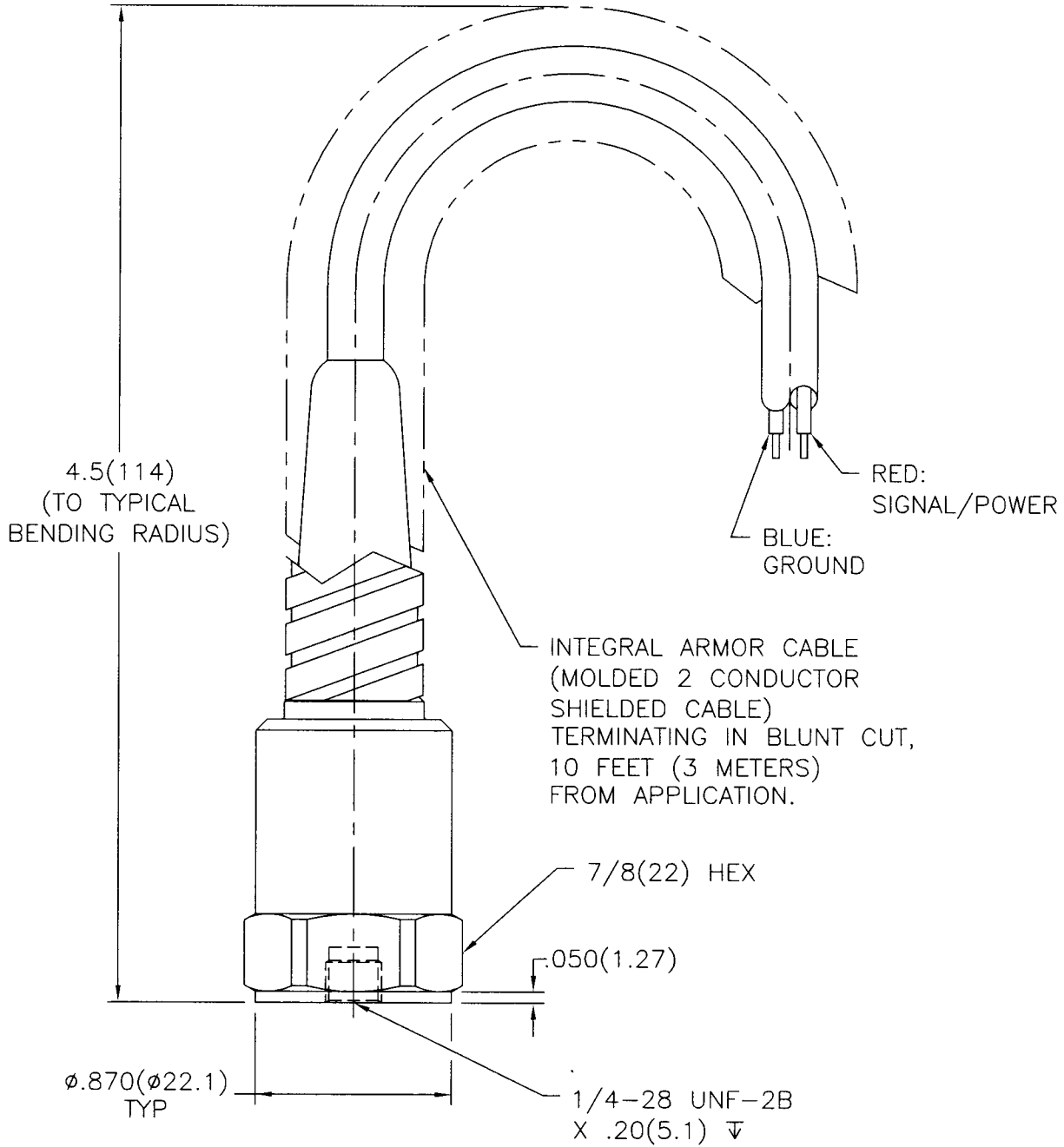
NEXT ASS'Y	USED ON	VAR

REVISIONS

REV	DESCRIPTION	ECN	DATE	APP'D
A	REVISED PER ECN	8774	2/23/98	DM2/98
B	UPDATE FOR UNIFORMITY	13113	2/21/01	sm 3/01

5499

PCB Piezotronics Inc. claims proprietary rights in the information disclosed herein. Neither it, nor any reproduction thereof will be disclosed to others without written consent of PCB Piezotronics Inc.



UNLESS SPECIFIED TOLERANCES

DIMENSIONS IN INCHES	DIMENSIONS IN MILLIMETERS (IN PARENTHESIS)
DECIMALS XX ±.01	DECIMALS XX ±0.3
XXX ±.005	XXX ±0.13
ANGLES ±2 DEGREES	ANGLES ±2 DEGREES
FILLETS AND RADII .003 - .005	FILLETS AND RADII (0.07 - 0.13)

DRAWN	<i>MUS</i> 3/21/01	MFG	<i>JLD</i> 3/21/01
CHK'D	<i>SM</i> 3/21/01	ENGR	<i>UC</i> 3/21/01
APP'D	<i>SM</i> 3/21/01	SALES	<i>SM</i> 3/23/01
TITLE OUTLINE DRAWING MODEL 601A61, M ACCELEROMETER			

PCB PIEZOTRONICS™
3425 WALDEN AVE. DEPEW, NY 14043
(716) 684-0001 EMAIL: SALES@PCB.COM

CODE IDENT. NO. 52681

DWG. NO. 5499

SCALE: 1.33X SHEET 1 OF 1