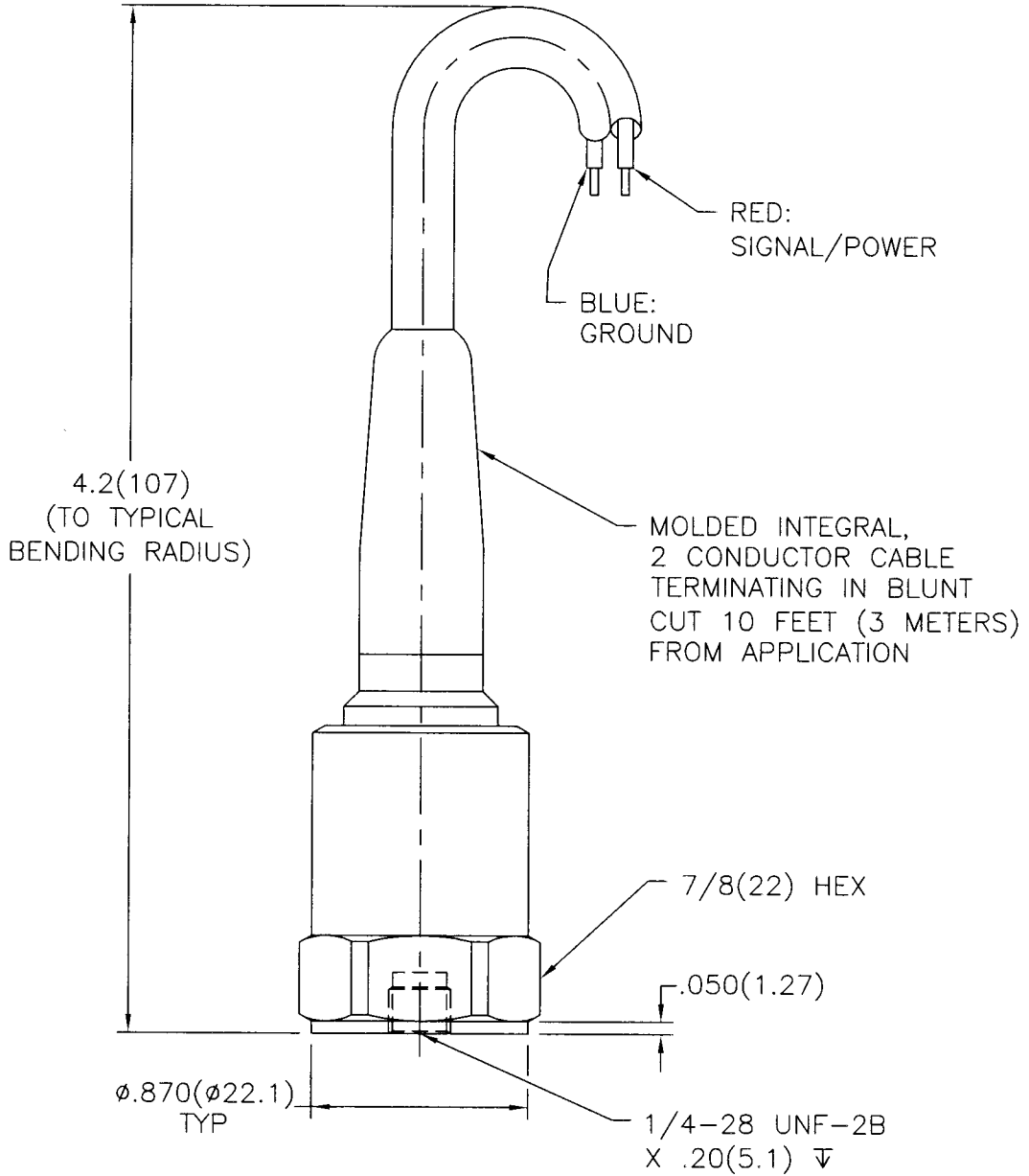


5497

PCB Piezotronics Inc. claims proprietary rights in the information disclosed hereon. Neither it nor any reproduction thereof will be disclosed to others without written consent of PCB Piezotronics Inc.

APPLICATION		
NEXT ASS'Y	USED ON	VAR

REVISIONS				
REV	DESCRIPTION	ECN	DATE	APP'D
A	REVISED PER ECN	8774	2/23/98	DM2/98
B	UPDATE FOR UNIFORMITY	13113	2/21/01	<i>[Signature]</i>



UNLESS SPECIFIED TOLERANCES		DRAWN	<i>MWS</i>	3/12/01	MFG	<i>A.W.</i>	3/20/01	 3425 WALDEN AVE. DEPEW, NY 14043 (716) 684-0001 EMAIL: SALES@PCB.COM
DIMENSIONS IN INCHES	DIMENSIONS IN MILLIMETERS (IN PARENTHESIS)	CHK'D	<i>mm</i>	3/12/01	ENGR	<i>U.F.</i>	3/14/01	
DECIMALS XX ±.01 XXX ±.005	DECIMALS XX ±0.3 XXX ±0.13	APP'D	<i>[Signature]</i>		SALES	<i>EGM</i>	3/23/01	
ANGLES ±2 DEGREES	ANGLES ±2 DEGREES	TITLE						CODE IDENT. NO.
FILLETS AND RADII .003 - .005	FILLETS AND RADII (0.07 - 0.13)	OUTLINE DRAWING MODEL 601A11, M ACCELEROMETER						DWG. NO.
DD011 REV. B 03/13/98								5497
							SCALE: 1.33X	SHEET 1 OF 1