

393-3010-90

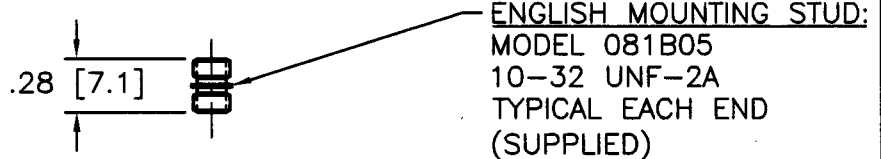
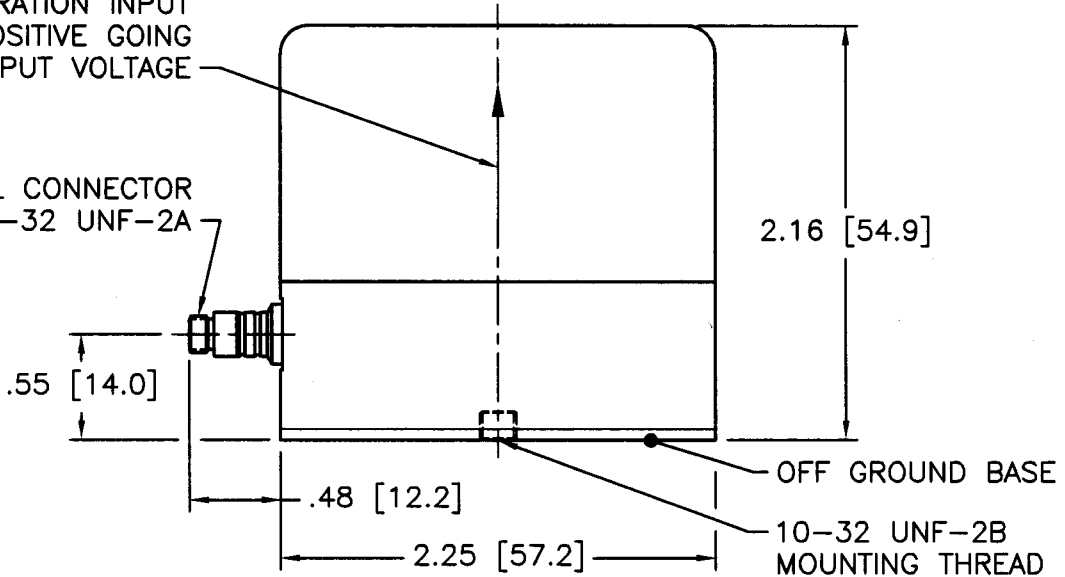
PCB Piezotronics Inc. claims proprietary rights in the information disclosed hereon. Neither it nor any reproduction thereof will be disclosed to others without written consent of PCB Piezotronics Inc.

APPLICATION		
NEXT ASS'Y	USED ON	VAR

REVISIONS				
REV	DESCRIPTION	ECN	DATE	APP'D
G	REVISED PER ECR	7353	11/27/96	
H	ADD OFF GROUND BASE	8212	9/9/97	
J	ADDED METRIC STUD	16448	11/11/02	

SENSE AND DIRECTION OF ACCELERATION INPUT FOR POSITIVE GOING OUTPUT VOLTAGE

ELECTRICAL CONNECTOR COAXIAL 10-32 UNF-2A



ENGLISH MOUNTING HOLE PREPARATION:

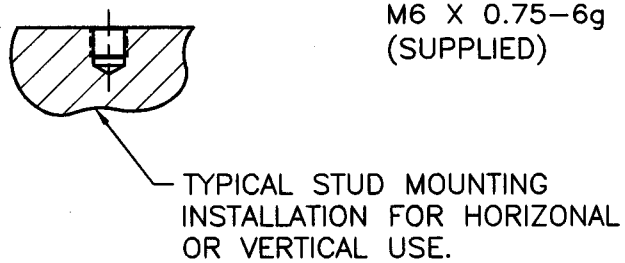
- Ø.159 [Ø4.04]
- X .23 [5.8] ∇ MIN 2
- TAP 10-32 UNF-2B 1
- X .15 [3.8] ∇ MIN

METRIC MOUNTING STUD:

- MODEL M081B05
- 10-32 UNF-2A BY
- M6 X 0.75-6g
- (SUPPLIED)

METRIC MOUNTING HOLE PREPARATION:

- Ø.209 [Ø5.31]
- X .300 [7.62] ∇ MIN 2
- TAP M6 X 0.75-6H 1
- X .200 [5.08] ∇ MIN



3.) TO MOUNT UPRIGHT SIMPLY SET ON FLAT SURFACE OR USE DOUBLE SIDED TAPE TO AFFIX TO MOUNTING SURFACE.

2 DRILL PERPENDICULAR TO MOUNTING SURFACE WITHIN ±1°

1 MOUNTING SURFACE SHOULD BE FLAT WITHIN .001 [0.03] TIR OVER A 3.0 [76] DIA WITH A MINIMUM 63/ [1.6/] FINISH FOR BEST RESULTS.

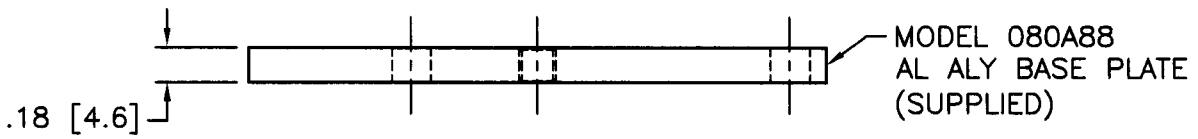
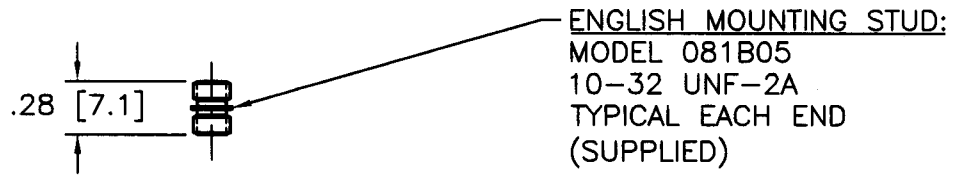
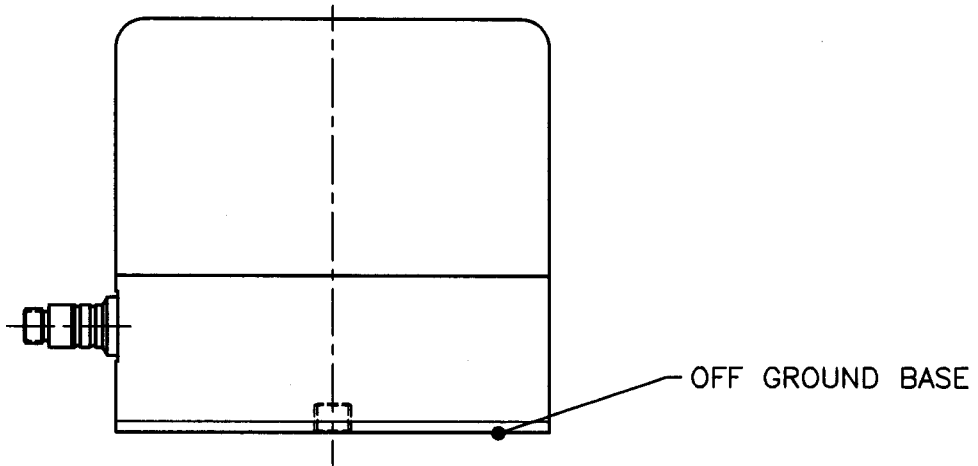
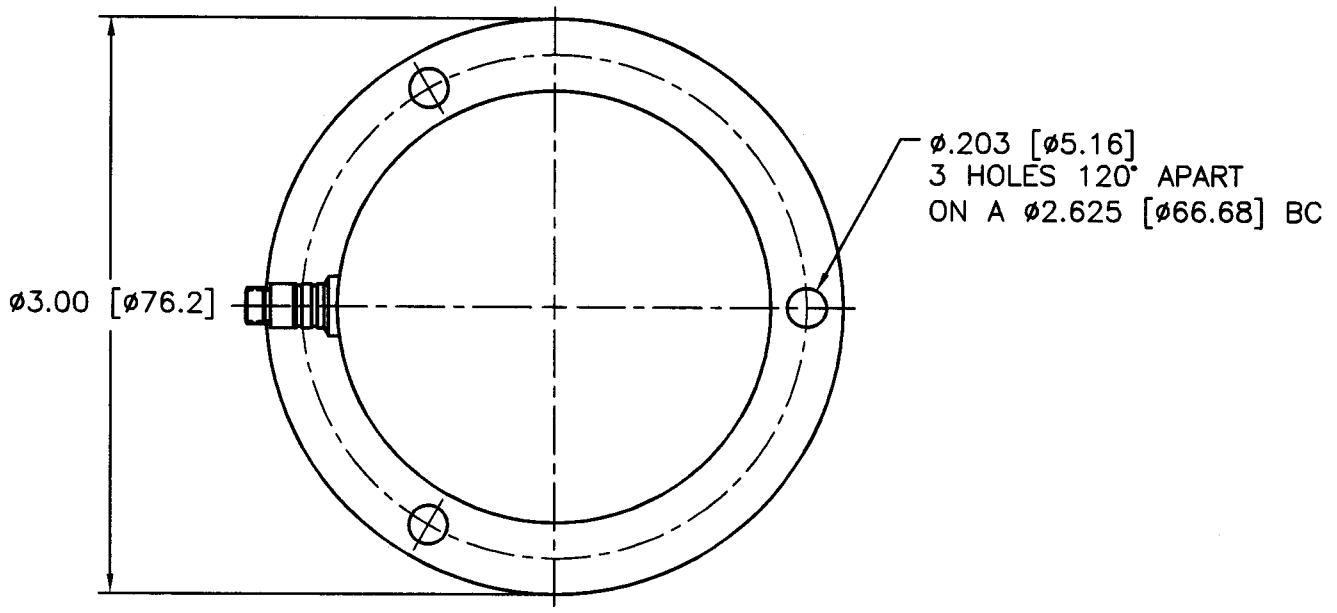
UNLESS SPECIFIED TOLERANCES		DRAWN	gms	11/13/02	MFG	JBS	11/14/02	<p>3425 WALDEN AVE. DEPEW, NY 14043 (716) 684-0001 EMAIL: SALES@PCB.COM</p>
DIMENSIONS IN INCHES	DIMENSIONS IN MILLIMETERS [IN BRACKETS]	CHK'D	Bm	11/14/02	ENGR	DMO	11/14/02	
DECIMALS XX ±.01 XXX ±.005	DECIMALS XX ±0.3 XXX ±0.13	APP'D	BAS	11/20/02	SALES	WDC	11/14/02	CODE IDENT. NO. 52681
ANGLES ±2 DEGREES	ANGLES ±2 DEGREES	TITLE						DWG. NO.
FILLETS AND RADII .003 - .005	FILLETS AND RADII [0.07 - 0.13]	INSTALLATION DRAWING						393-3010-90
DD011 REV. B 03/13/98		MODEL 393C HERMETICALLY SEALED SEISMIC ACCELEROMETER						SCALE: FULL SHEET 1 OF 2

393-3010-90

PCB Piezotronics Inc. claims proprietary rights in the information disclosed hereon. Neither it nor any reproduction thereof will be disclosed to others without written consent of PCB Piezotronics Inc.

APPLICATION		
NEXT ASS'Y	USED ON	VAR

REVISIONS				
REV	DESCRIPTION	ECN	DATE	APP'D
	- SEE SHEET ONE -			



UNLESS SPECIFIED TOLERANCES		DRAWN				MFG		PCB PIEZOTRONICS™	
DIMENSIONS IN INCHES	DIMENSIONS IN MILLIMETERS [IN BRACKETS]	<i>SMZ</i>	<i>11/12/02</i>		<i>JBS</i>	<i>11/14/02</i>		3425 WALDEN AVE. DEPEW, NY 14043	(716) 684-0001 EMAIL: SALES@PCB.COM CODE IDENT. NO. 52681 DWG. NO. 393-3010-90
DECIMALS XX ±.01 XXX ±.005	DECIMALS XX ±0.3 XXX ±0.13	CHK'D <i>om</i>	<i>11/14/02</i>	ENGR <i>DHO</i>	<i>11/14/02</i>				
ANGLES ±2 DEGREES	ANGLES ±2 DEGREES	APP'D <i>BAS</i>	<i>11/29/02</i>	SALES <i>WXL</i>	<i>11/14/02</i>				
FILLETS AND RADII .003 - .005	FILLETS AND RADII [0.07 - 0.13]	TITLE INSTALLATION DRAWING MODEL 393C HERMETICALLY SEALED SEISMIC ACCELEROMETER						SCALE: FULL	SHEET 2 OF 2
DD011 REV. B 03/13/98									