

2

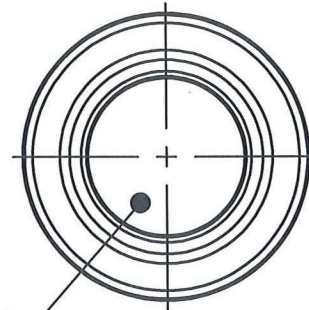
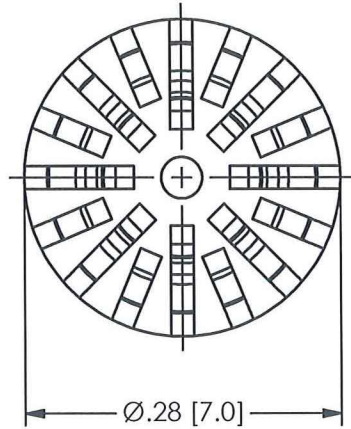
1

PCB Piezotronics Inc. claims proprietary rights in the information disclosed hereon. Neither it nor any reproduction thereof will be disclosed to others without the written consent of PCB Piezotronics Inc.

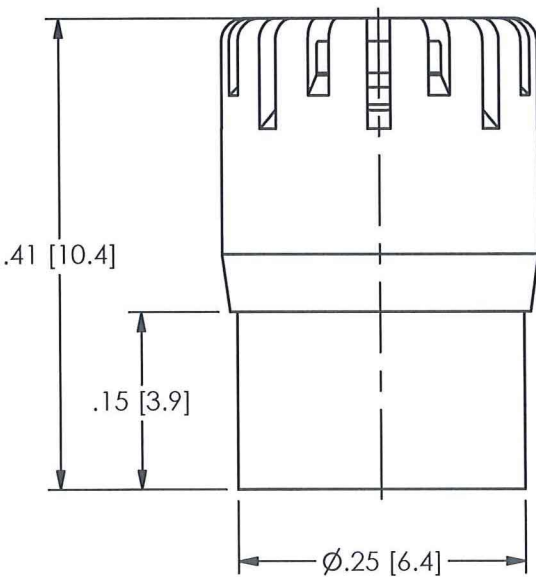
REVISIONS

REV	DESCRIPTION	DIN
A	UPDATED DESIGN	40589

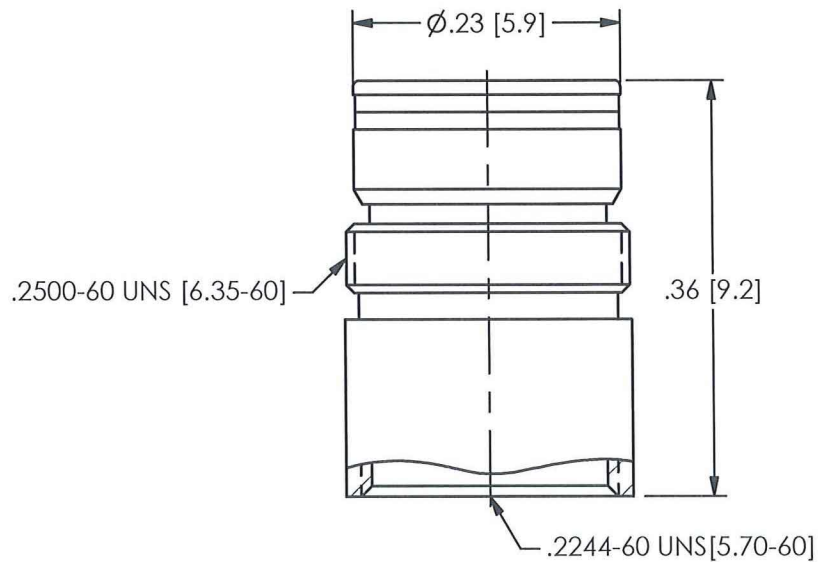
31223



DIAPHRAGM



SHOWN WITH GRID CAP



SHOWN WITHOUT GRID CAP

UNLESS OTHERWISE SPECIFIED TOLERANCES ARE:

DRAWN		CHECKED		ENGINEER	
JDM	2/13/13	<i>JDM</i>	<i>Stulis</i>	MJN	2/13/13

PCB PIEZOTRONICS™

3425 WALDEN AVE. DEPEW, NY 14043
(716) 684-0001 E-MAIL: sales@pcb.com

DIMENSIONS IN INCHES

DECIMALS XX $\pm .03$
XXX $\pm .010$

ANGLES ± 2 DEGREES

FILLETS AND RADII
.003 - .005

DIMENSIONS IN MILLIMETERS
[IN BRACKETS]

DECIMALS X ± 0.8
XX ± 0.25

ANGLES ± 2 DEGREES

FILLETS AND RADII
0.07 - 0.13

TITLE

OUTLINE DRAWING
1/4" PRE-POLARIZED
MICROPHONES

CODE
IDENT. NO.
52681

DWG. NO.

31223

SCALE: 6X

SHEET 1 OF 1

2

1