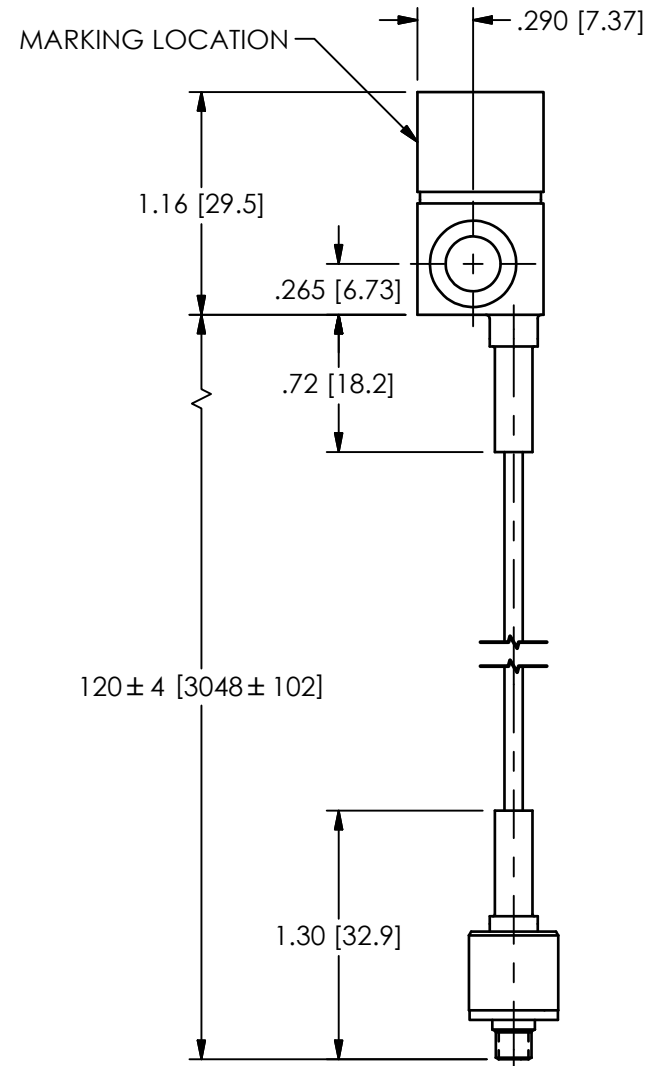
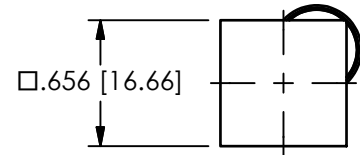


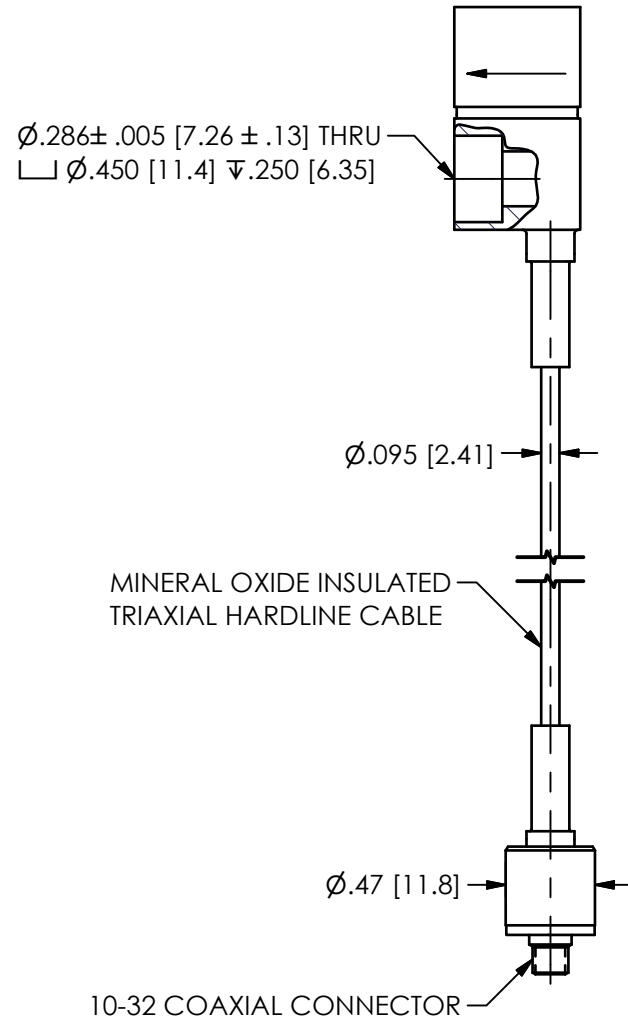
PCB Piezotronics Inc. claims proprietary rights in the information disclosed herein. Neither it nor any reproduction thereof will be disclosed to others without the written consent of PCB Piezotronics Inc.

50848

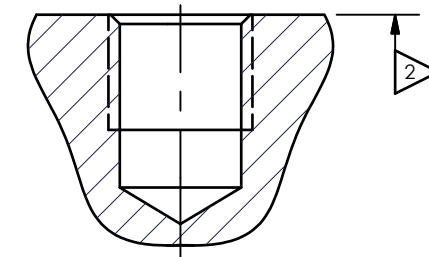
| REVISIONS | | |
|-----------|-----------------------------|-------|
| REV | DESCRIPTION | DIN |
| B | ADDED MOUNTING INSTRUCTIONS | 43068 |



DIRECTION OF ACCELERATION TO PROVIDE A NEGATIVE SIGNAL



MOUNTING HOLE PREPARATION:
 Ø.218 [Ø5.54] ▽ .300 [7.62] MIN.
 1/4-28 UNF-2B ▽ .200 [5.08] MIN.



SCALE 3X

- 5.) CABLE MINIMUM BEND RADIUS: .25 [6.35]
- 4.) RECOMMENDED MOUNTING TORQUE, 2-5 FOOT POUNDS [3-7 NEWTON METERS].
- 3.) FOR BEST RESULTS, PLACE A THIN LAYER OF SILICONE GREASE (OR EQUIVALENT) ON INTERFACE PRIOR TO MOUNTING.

2 MOUNTING SURFACE SHOULD BE FLAT TO WITHIN .001 (0.03) TIR OVER DIM 'A' WITH A $63[1.61]$ ✓ OR BETTER FINISH FOR BEST RESULTS.

1 DRILL PERPENDICULAR TO MOUNTING SURFACE TO WITHIN ± 1'.

| UNLESS OTHERWISE SPECIFIED TOLERANCES ARE: | | DRAWN | | CHECKED | | ENGINEER | |
|--|---|--|---------|-------------------|---------|--------------------------|---------|
| DIMENSIONS IN INCHES | DIMENSIONS IN MILLIMETERS [IN BRACKETS] | JDM | 6/23/14 | ECB | 6/23/14 | GCD | 6/23/14 |
| DECIMALS XX ±.01 XXX ±.005 | DECIMALS X ±0.3 XX ±0.13 | TITLE INSTALLATION DRAWING MODEL 357D90 ACCELEROMETER | | | | | |
| ANGLES ± 2 DEGREES | ANGLES ± 2 DEGREES | | | | | | |
| FILLETS AND RADII .003 - .005 | FILLETS AND RADII 0.07 - 0.13 | CODE IDENT. NO. 52681 | | DWG. NO. 50848 | | SCALE: FULL SHEET 1 OF 1 | |

PCB PIEZOTRONICS
 3425 WALDEN AVE. DEPEW, NY 14043
 (716) 684-0001 E-MAIL: sales@pcb.com