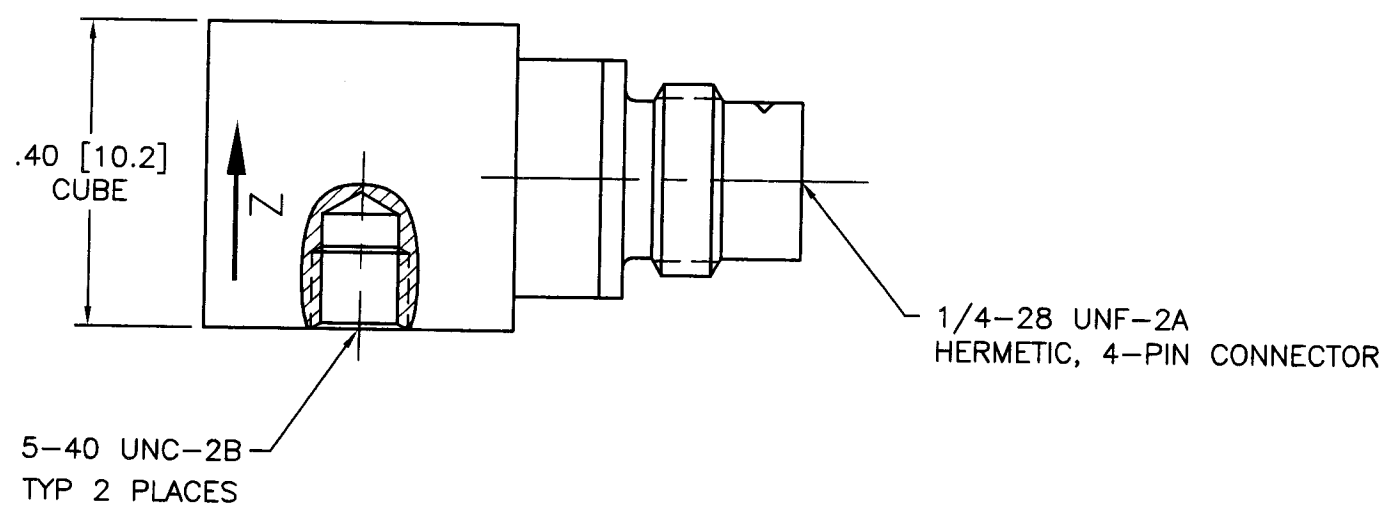
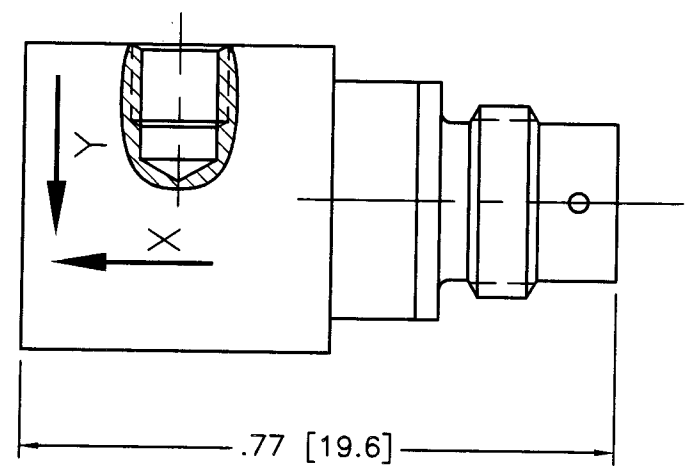


APPLICATION		
NEXT ASSY	USED ON	VAR

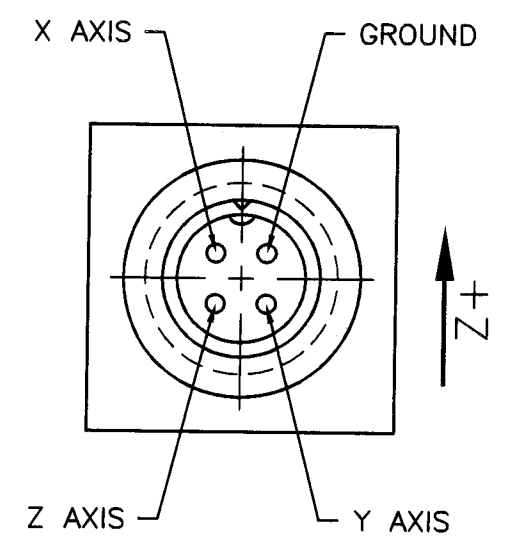
PCB Piezotronics Inc. claims proprietary rights in the information disclosed hereon. Neither it nor any reproduction thereof will be disclosed to others without written consent of PCB Piezotronics Inc.

REVISIONS					
ZONE	REV	DESCRIPTION	ECN	DATE	APP'D
	NR	RELEASED TO DRAFTING		9/13/02	<i>SM/qa</i>

19954



.40 [10.2]  
CUBE



UNLESS SPECIFIED TOLERANCES		DRAWN		MFG		PCB PIEZOTRONICS™ 3425 WALDEN AVE. DEPEW, NY 14043 (716) 684-0001 EMAIL: SALES@PCB.COM
DIMENSIONS IN INCHES	DIMENSIONS IN MILLIMETERS [IN BRACKETS]	<i>SM</i>	<i>9/13/02</i>	<i>SM</i>	<i>9/13/02</i>	
DECIMALS XX ±.01 XXX ±.005	DECIMALS XX ±0.3 XXX ±0.13	CHK'D <i>DM</i>	<i>9/13/02</i>	ENGR <i>MS</i>	<i>9/13/02</i>	DWG. NO. 19954
ANGLES ±2 DEGREES	ANGLES ±2 DEGREES	APP'D <i>SM</i>	<i>9/13/02</i>	SALES <i>WDC</i>	<i>9/13/02</i>	SCALE: 4X
FILLETS AND RADII .003 - .005	FILLETS AND RADII [0.07 - 0.13]	TITLE OUTLINE DRAWING				SHEET 1 OF 1
DD012 REV. B 03/13/98		.4in CUBE W/ 1/4-28 4-PIN CONNECTOR TRIAXIAL ACCELEROMETER				