

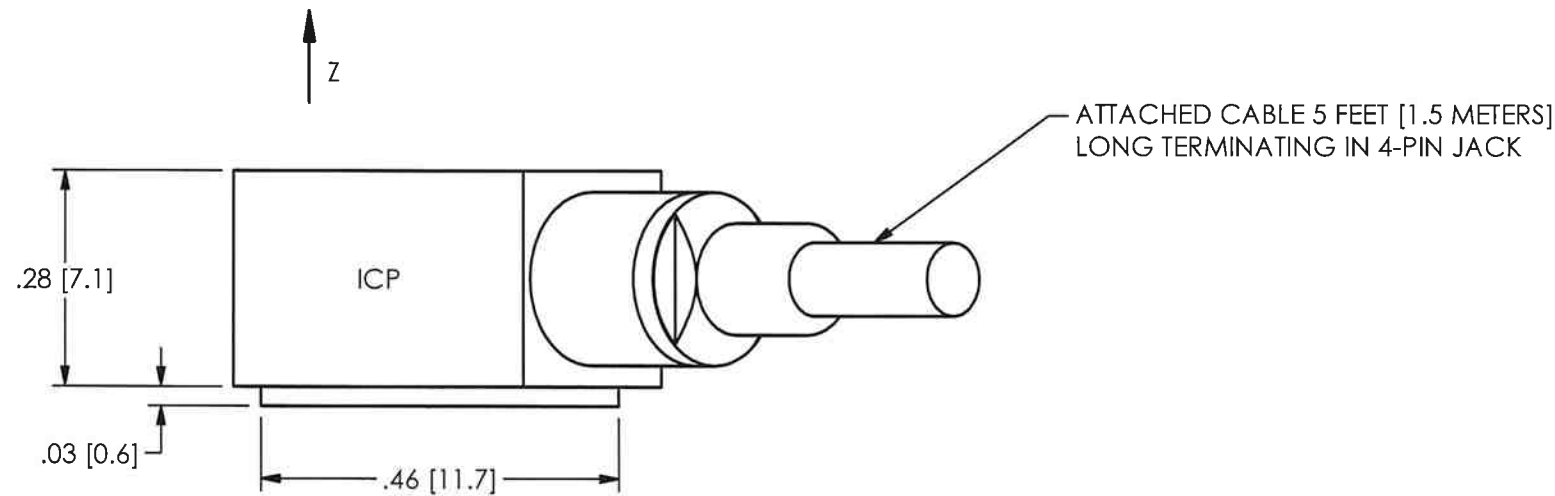
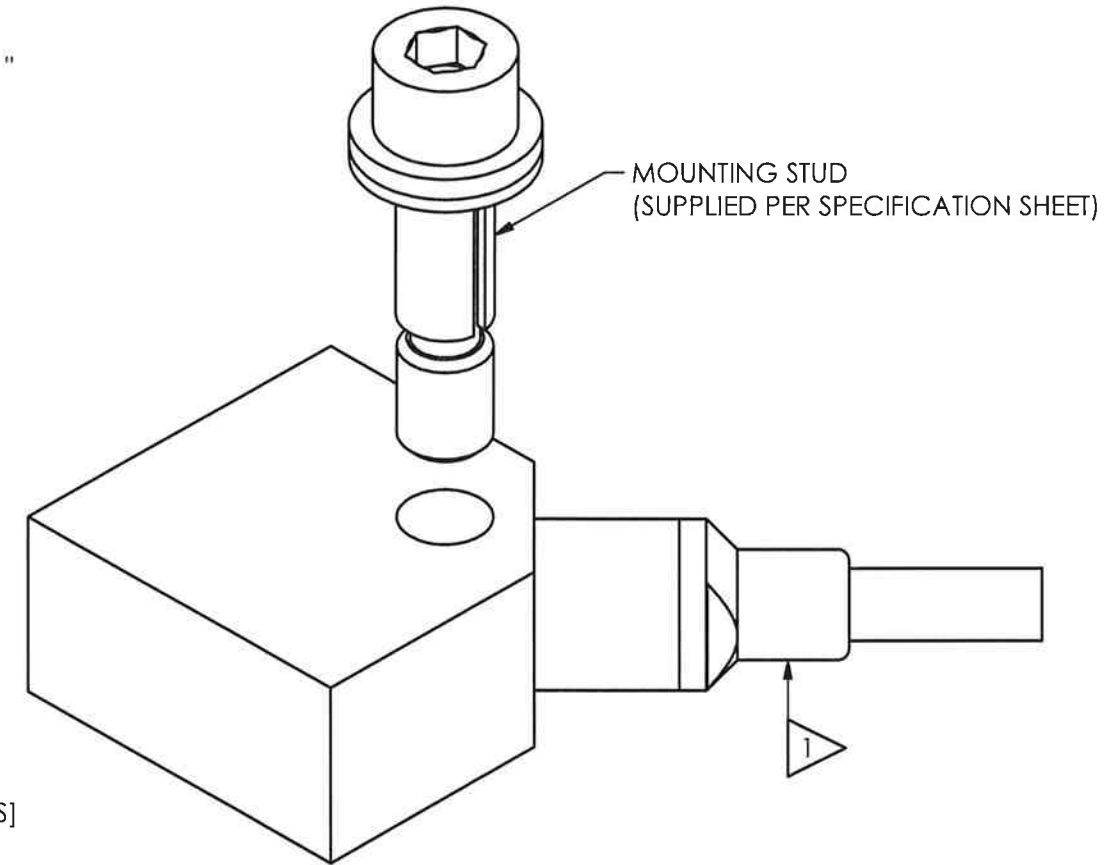
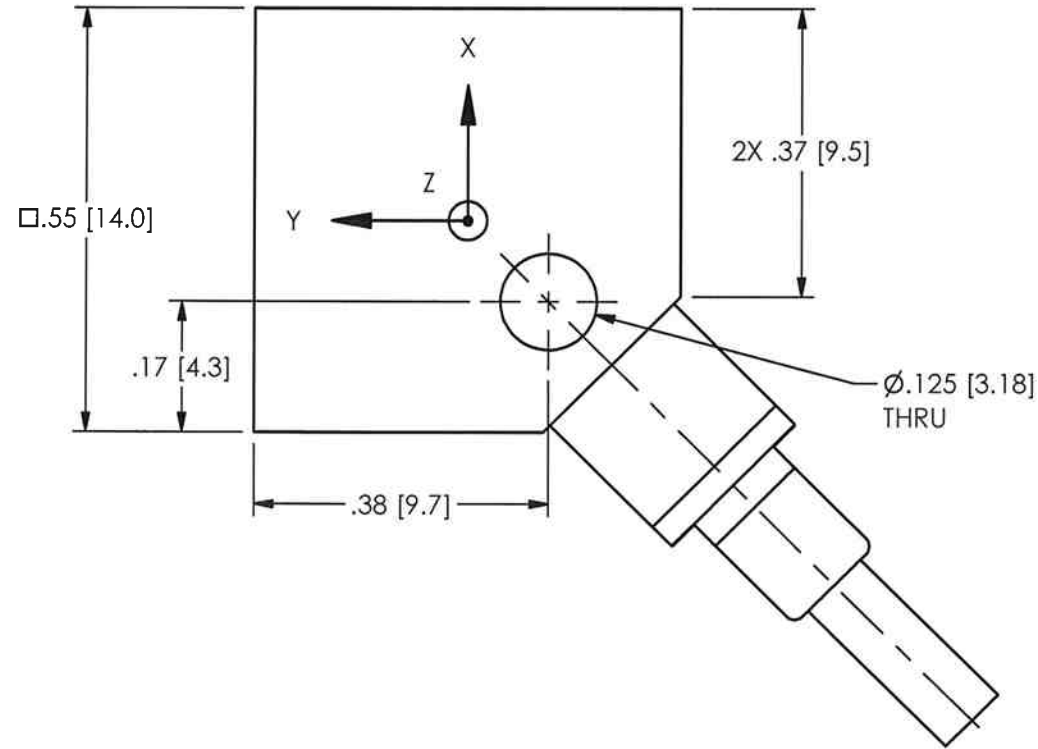
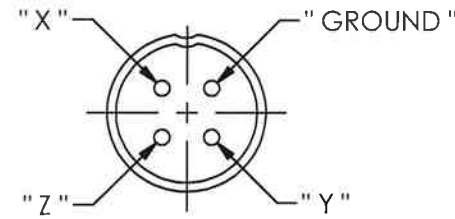
PCB Piezotronics Inc. claims proprietary rights in the information disclosed hereon. Neither it nor any reproduction thereof will be disclosed to others without the written consent of PCB Piezotronics Inc.

17500

REVISIONS

REV	DESCRIPTION	ECN	APP'D
B	REMOVED WELD LINE	24912	EB 11-06
C	UPDATED NOTES	29162	

PINOUT DIAGRAM
(END OF CABLE)



FOR REPLACEMENT, USE PCB PART NUMBER: 1367-01.

UNLESS OTHERWISE SPECIFIED TOLERANCES ARE:		DRAWN	SMB	10/14/08	MFG	PRR	7/21/08	 PCB PIEZOTRONICS™ 3425 WALDEN AVE. DEPEW, NY 14043 (716) 684-0001 E-MAIL: sales@pcb.com	
DIMENSIONS IN INCHES	DIMENSIONS IN MILLIMETERS [IN BRACKETS]	CHK'D			ENGR	JF	7/1/07		
DECIMALS XX ± .03 XXX ± .010 ANGLES ± 2 DEGREES	DECIMALS X ± 0.8 XX ± 0.25 ANGLES ± 2 DEGREES	APP'D	BM	7/15/08	SALES	WDC	7/7/08		
FILLETS AND RADII .003 - .005	FILLETS AND RADII [0.07 - 0.13]	TITLE OUTLINE DRAWING MODEL 354C10 TRIAXIAL ACCELEROMETER							CODE IDENT. NO. 52681
		SCALE: 4X		SHEET 1 OF 1					