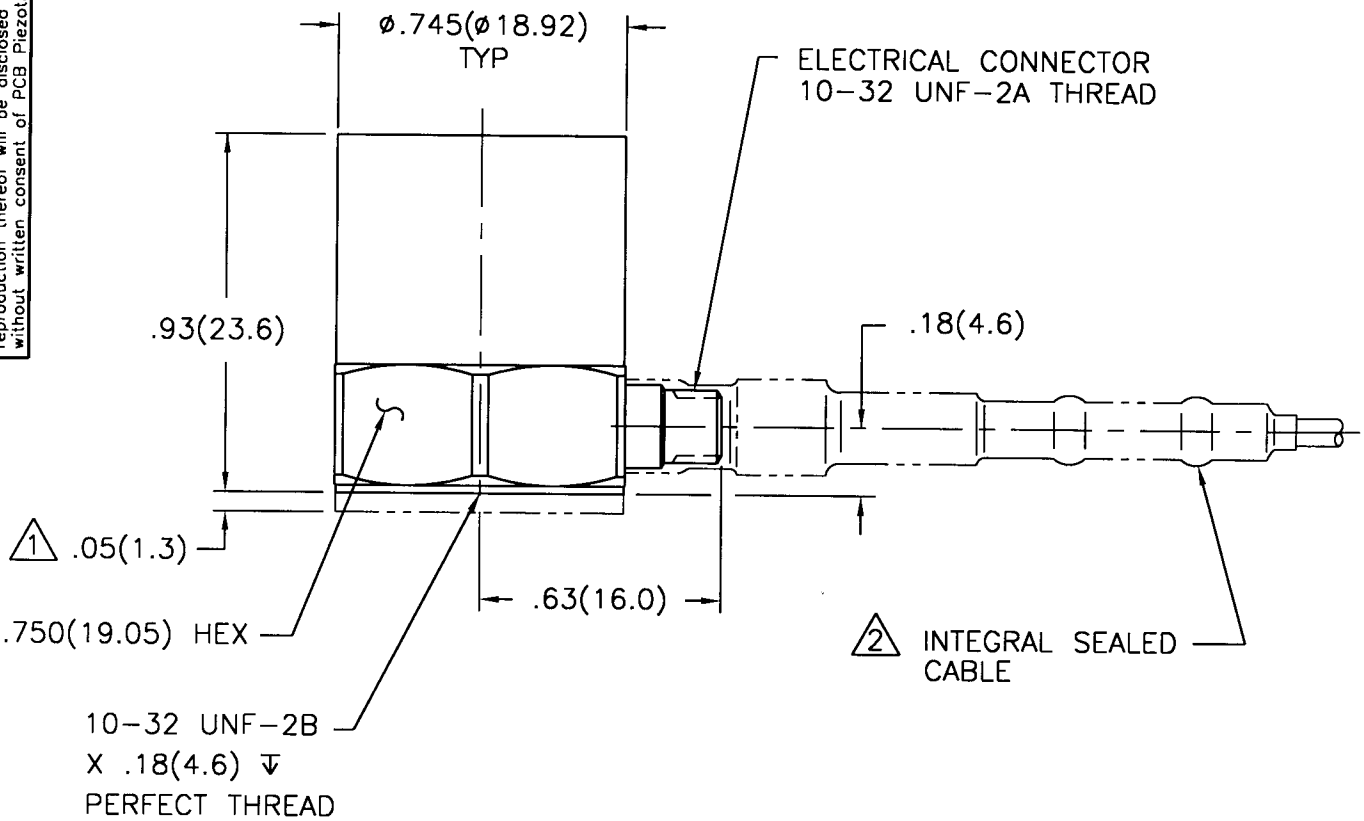


APPLICATION		
NEXT ASS'Y	USED ON	VAR

REVISIONS				
REV	DESCRIPTION	ECN	DATE	APP'D
	REFERENCE ECN # 7617			

5921

PCB Piezotronics Inc. claims proprietary rights in the information disclosed hereon. Neither it nor any reproduction thereof will be disclosed to others without written consent of PCB Piezotronics Inc.



- ② ADD CABLE FOR TRANSDUCER WITH WATER RESISTANT OPTION.
- ① ADD DIMENSION FOR TRANSDUCER WITH GROUND ISOLATED OPTION.

UNLESS SPECIFIED TOLERANCES		DRAWN	JBS	MFG	JBS	2/20/97	PCB PIEZOTRONICS, INC. 3425 WALDEN AVE. DEPEW, NEW YORK 14043 PHONE: (716) 684-0001
DIMENSIONS IN INCHES DECIMALS XX ± .01 XXX ± .005 ANGLES ± 2 DEGREES	DIMENSIONS IN MILLIMETERS (IN PARENTHESIS) DECIMALS XX ± 0.3 XXX ± 0.13 ANGLES ± 2 DEGREES	CHK'D	cm	ENGR	15/10/97	2/20/97	
FILLETS AND RADII .003 - .005	FILLETS AND RADII (0.07 - 0.13)	APP'D	KJS				CODE IDENT. NO. 52681
DD011 REV. A 05/26/95		TITLE OUTLINE DRAWING MODEL 353B33 ACCELEROMETER				DWG. NO. 5921	SCALE: 2X SHEET 1 OF 1