

17229

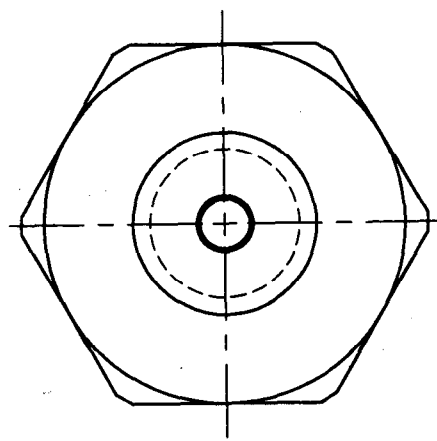
PCB Piezotronics Inc. claims proprietary rights in the information disclosed hereon. Neither it nor any reproduction thereof will be disclosed to others without written consent of PCB Piezotronics Inc.

APPLICATION

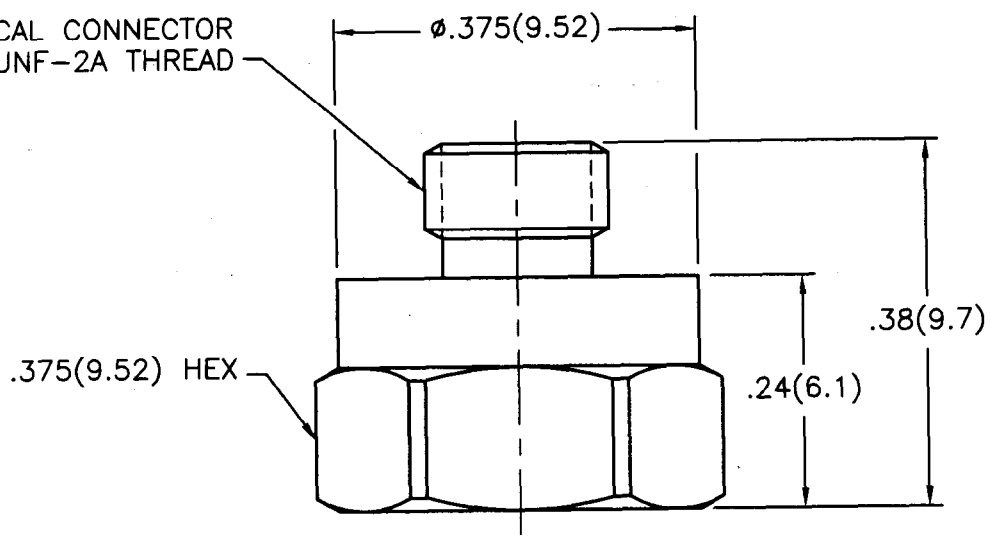
NEXT ASS'Y	USED ON	VAR

REVISIONS

REV	DESCRIPTION	ECN	DATE	APP'D



ELECTRICAL CONNECTOR
10-32 UNF-2A THREAD



UNLESS SPECIFIED TOLERANCES		DRAWN	10/4/01	MFG	DC	10-4-01	 3425 WALDEN AVE. DEPEW, NY 14043 (716) 684-0001 EMAIL: SALES@PCB.COM	
DIMENSIONS IN INCHES	DIMENSIONS IN MILLIMETERS (IN PARENTHESIS)	CHK'D	SM	ENGR	DS	10/4/01		
DECIMALS XX ±.01 XXX ±.005	DECIMALS XX ±0.3 XXX ±0.13	APP'D	Phatt	SALES	WSC	10/4/01	CODE IDENT. NO. 52681	
ANGLES ±2 DEGREES	ANGLES ±2 DEGREES	TITLE					DWG. NO.	17229
FILLETS AND RADII .003 - .005	FILLETS AND RADII (0.07 - 0.13)	OUTLINE DRAWING MODEL 352C41/352C42 ACCELEROMETER					SCALE: 5X	SHEET 1 OF 1
DD011 REV. B 03/13/98								