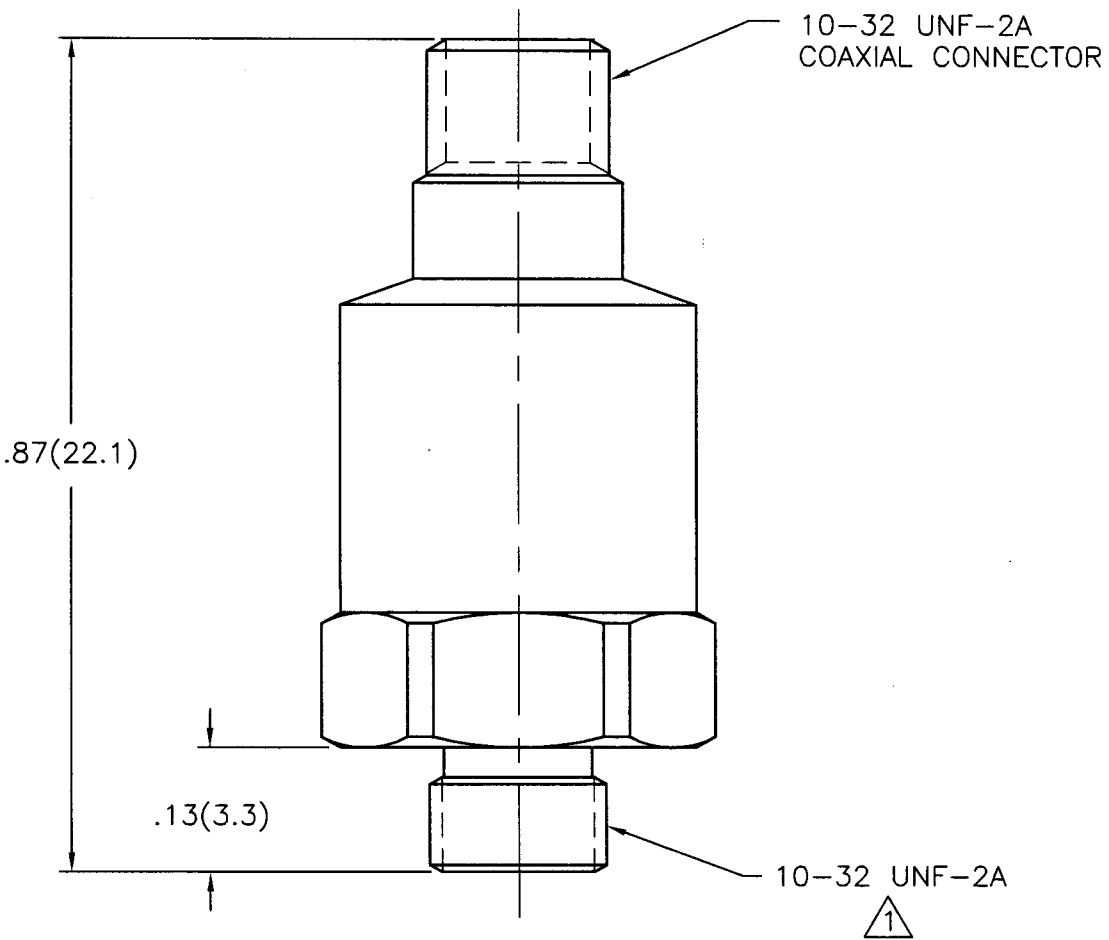
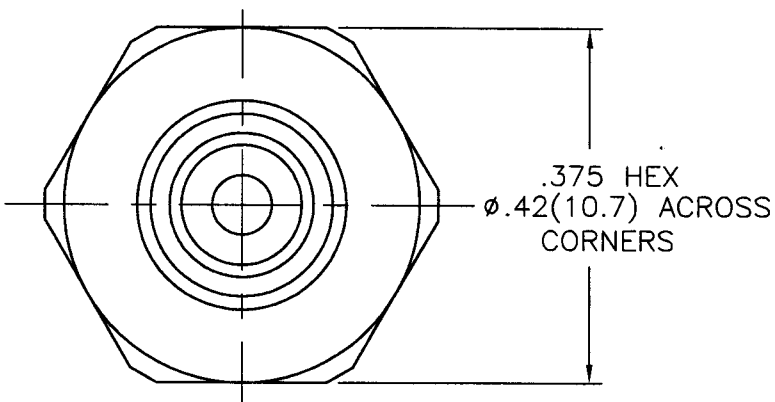


APPLICATION			REVISIONS				
NEXT ASS'Y	USED ON	VAR	REV	DESCRIPTION	ECN	DATE	APP'D

16228

PCB Piezotronics Inc. claims proprietary rights in the information disclosed hereon. Neither it nor any reproduction thereof will be disclosed to others without written consent of PCB Piezotronics Inc.



△ M6 X 0.75-6g FOR SENSOR WITH METRIC OPTION.

UNLESS SPECIFIED TOLERANCES		DRAWN <i>SM</i> 5/7/01		MFG <i>DC</i> 5/7/01		 3425 WALDEN AVE. DEPEW, NY 14043 (716) 684-0001 EMAIL: SALES@PCB.COM		
DIMENSIONS IN INCHES	DIMENSIONS IN MILLIMETERS (IN PARENTHESIS)	CHK'D <i>DM</i> 5/7/01	ENGR <i>DM</i> 5/7/01	APP'D <i>Ph</i> 5/7/01	SALES <i>CSA</i> 5/7/01			CODE IDENT. NO. 52681
DECIMALS XX ±.01 XXX ±.005	DECIMALS XX ±0.3 XXX ±0.13	TITLE OUTLINE DRAWING MODEL 352B30 ACCELEROMETER				SCALE: 5X		SHEET 1 OF 1
ANGLES ±2 DEGREES	ANGLES ±2 DEGREES	DD011 REV. B 03/13/98						