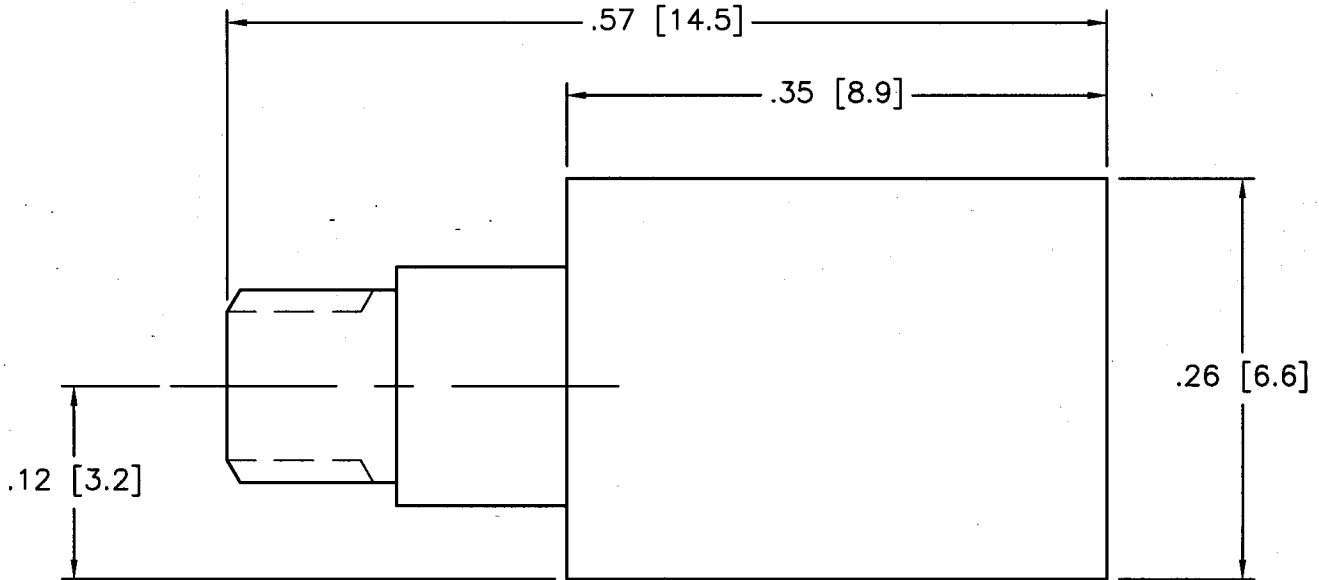
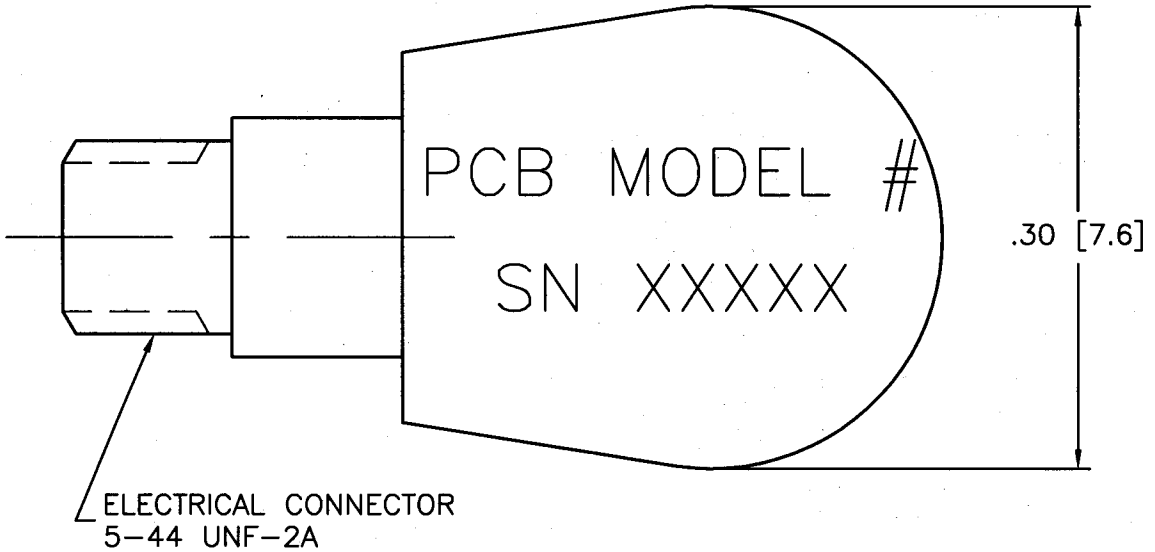


20403

PCB Piezotronics Inc. claims proprietary rights in the information disclosed hereon. Neither it nor any reproduction thereof will be disclosed to others without written consent of PCB Piezotronics Inc.

APPLICATION		
NEXT ASS'Y	USED ON	VAR

REVISIONS				
REV	DESCRIPTION	ECN	DATE	APP'D
NR	RELEASED TO DRAFTING		11/13/02	
A	REMOVED "PRELIMINARY"	16578	12/17/02	
B	GENERALIZED DRAWING	21287	12/14/04	<i>amply</i>



UNLESS SPECIFIED TOLERANCES		DRAWN				MFG		PCB PIEZOTRONICS™	
DIMENSIONS IN INCHES	DIMENSIONS IN MILLIMETERS [IN BRACKETS]	<i>SmB</i>	<i>12/14/04</i>	<i>OK</i>	<i>12/14/04</i>	3425 WALDEN AVE. DEPEW, NY 14043	(716) 684-0001 EMAIL: SALES@PCB.COM CODE IDENT. NO. 52681 DWG. NO. 20403		
DECIMALS XX ±.01 XXX ±.005	DECIMALS XX ±0.3 XXX ±0.13	CHK'D <i>DM</i>	<i>12/17/04</i>	ENGR <i>SmB</i>	<i>12/17/04</i>	TITLE OUTLINE DRAWING MODEL 352A56 SERIES ACCELEROMETER			
ANGLES ±2 DEGREES	ANGLES ±2 DEGREES	APP'D <i>MB</i>	<i>1/5/04</i>	SALES <i>wz</i>	<i>1/5/04</i>	SCALE: 8X			
FILLETS AND RADII .003 - .005	FILLETS AND RADII [0.07 - 0.13]	DD011 REV. B 03/13/98				SHEET 1 OF 1			