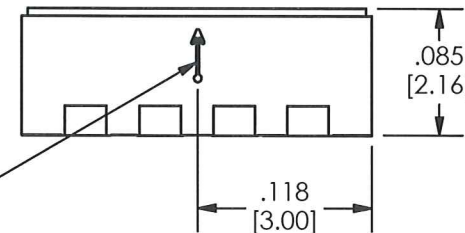
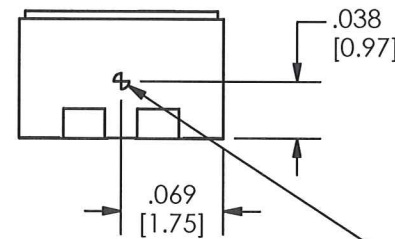
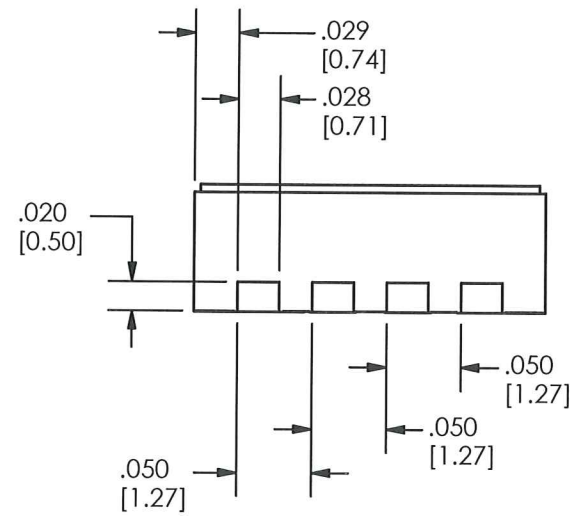
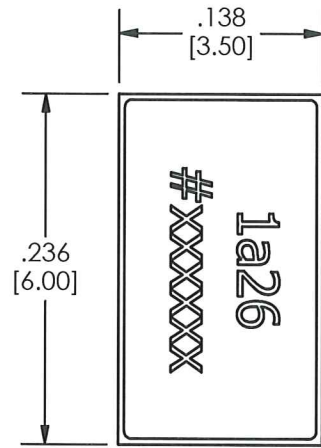
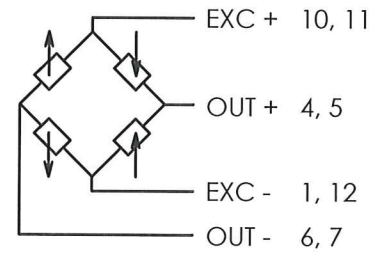


PCB Piezotronics Inc. claims proprietary rights in the information disclosed hereon. Neither it nor any reproduction thereof will be disclosed to others without the written consent of PCB Piezotronics Inc.

46907



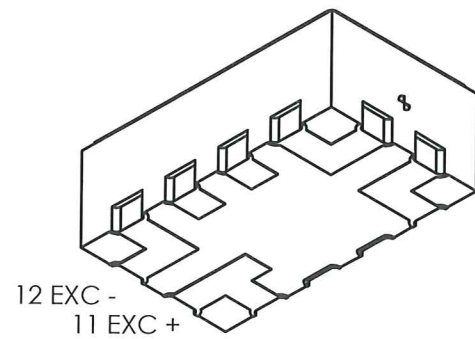
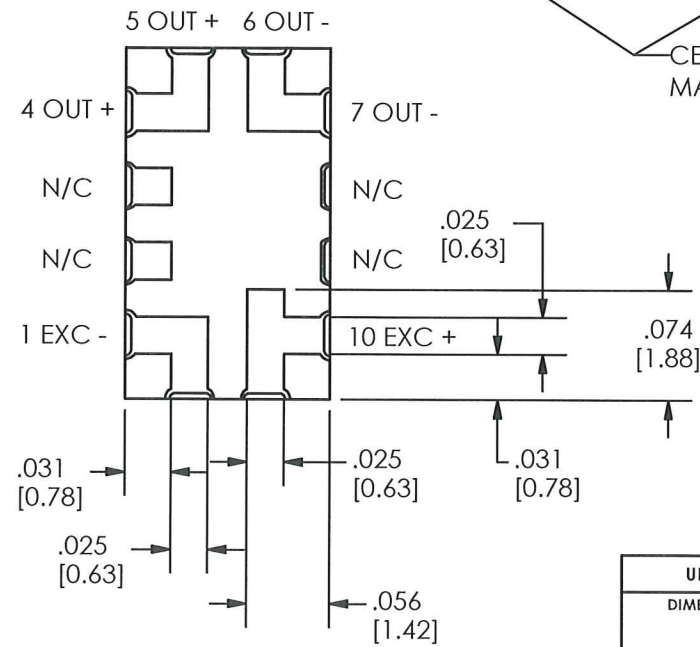
ESD SENSITIVE
CLASS 2 HANDLING REQUIRED



ABBREVIATED MODEL NUMBER REFERS TO 3501A2060KG

DIRECTION OF ARROW DEPICTS ACCELERATION CAUSING POSITIVE OUTPUT

CENTER OF SENSITIVITY IS LOCATED BY THIS MARK AND BY THE BASE OF THE ARROW



REVISIONS		
REV	DESCRIPTION	DIN
NR	RELEASED TO DRAFTING	35128

UNLESS OTHERWISE SPECIFIED TOLERANCES ARE:		DRAWN	CHECKED	ENGINEER	
DIMENSIONS IN INCHES	DIMENSIONS IN MILLIMETERS [IN BRACKETS]	ECB 2/22/11	ECB 2/22/11	TCJ	2/22/11
DECIMALS XX ±.03 XXX ±.010	DECIMALS X ±0.8 XX ±0.25	TITLE OUTLINE DRAWING 3501A2060KG SHOCK SERIES SURFACE MOUNT			
ANGLES ± 2 DEGREES	ANGLES ± 2 DEGREES				
FILLETS AND RADII .003 - .005	FILLETS AND RADII 0.07 - 0.13	CODE IDENT. NO. 52681		DWG. NO. 46907	
SCALE: FULL				SHEET 1 OF 1	

PCB PIEZOTRONICS^{INC}

3425 WALDEN AVE. DEPEW, NY 14043
(716) 684-0001 E-MAIL: sales@pcb.com