

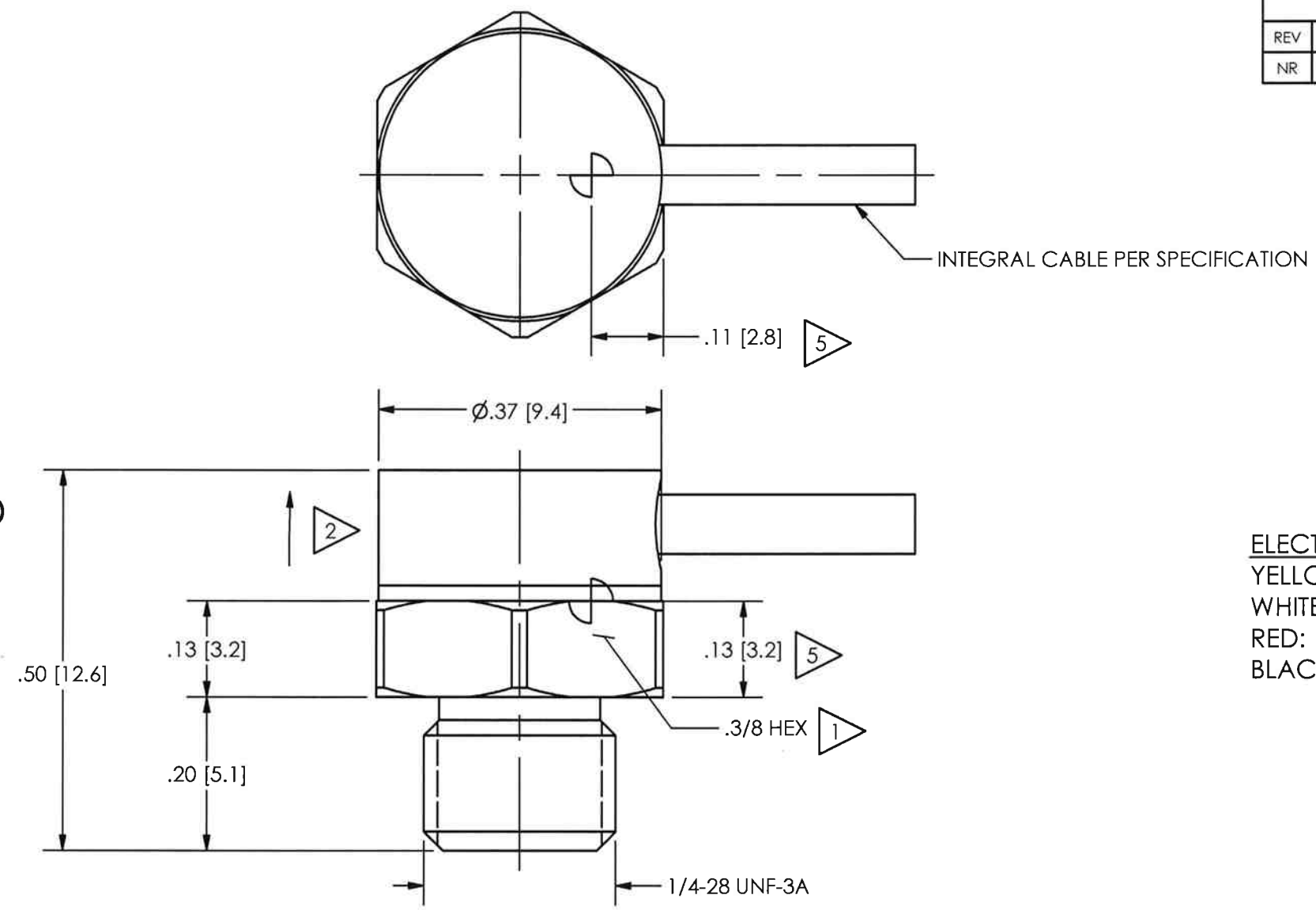
PCB Piezotronics Inc. claims proprietary rights in the information disclosed hereon. Neither it nor any reproduction thereof will be disclosed to others without the written consent of PCB Piezotronics Inc.

43017



**ESD SENSITIVE
CLASS 2 HANDLING REQUIRED**

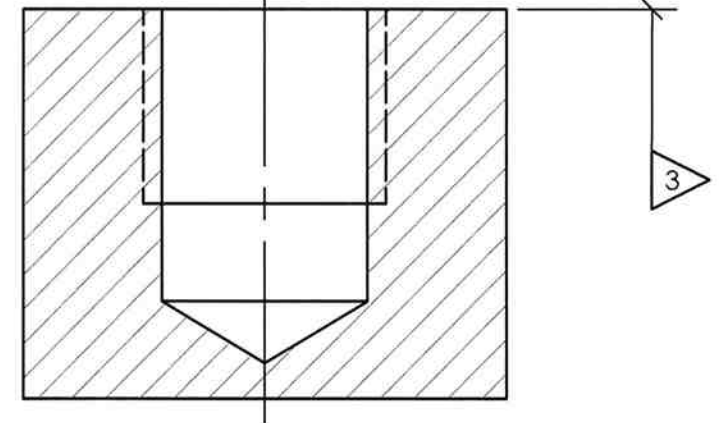
REVISIONS		
REV	DESCRIPTION	ECO
NR	RELEASED TO DRAFTING	



INTEGRAL CABLE PER SPECIFICATION

ELECTRICAL CONNECTIONS
 YELLOW : + SIGNAL
 WHITE : - SIGNAL
 RED: + EXCITATION
 BLACK: - EXCITATION

MOUNTING HOLE PREPARATION:
 Ø.218[5.41]
 X .30 [7.6] MIN ∇
 1/4-28 UNF-3B
 X .20[5.1] MIN ∇



**SECTION B-B
SCALE 5**

- 5 CENTER OF SEISMIC MASS.
- 4 DRILL PERPENDICULAR TO MOUNTING SURFACE TO WITHIN $\pm 1^\circ$.
- 3 RECOMMENDED MOUNTING SURFACE SHOULD BE FLAT TO WITHIN .0003(.008) TIR OVER Ø.650[16.51] WITH A 32 [.08] ∇ FINISH FOR BEST RESULTS.
- 2 DIRECTION OF POSITIVE OUTPUT.
- 1 RECOMMENDED MOUNTING TORQUE ON 3/8 HEX, 1-2 FOOT POUND [1.4-2.7 NEWTON METERS].

UNLESS OTHERWISE SPECIFIED TOLERANCES ARE:		DRAWN	CHECKED	ENGINEER
DIMENSIONS IN INCHES	DIMENSIONS IN MILLIMETERS [IN BRACKETS]	ECB 6/23/07	ECB 6/23/07	TCJ 6/23/07
DECIMALS XX ± 0.01 XXX ± 0.005	DECIMALS X ± 0.3 XX ± 0.13	TITLE		
ANGLES ± 2 DEGREES	ANGLES ± 2 DEGREES	INSTALLATION DRAWING MODEL 3501A12XXKG SERIES ACCELEROMETER		
FILLETS AND RADII .003 - .005	FILLETS AND RADII 0.07 - 0.13	CODE IDENT. NO. 52681		
		SCALE: 5X		DWG. NO. 43017
		SHEET 1 OF 1		

PCB PIEZOTRONICS
 3425 WALDEN AVE. DEPEW, NY 14043
 (716) 684-0001 E-MAIL: sales@pcb.com