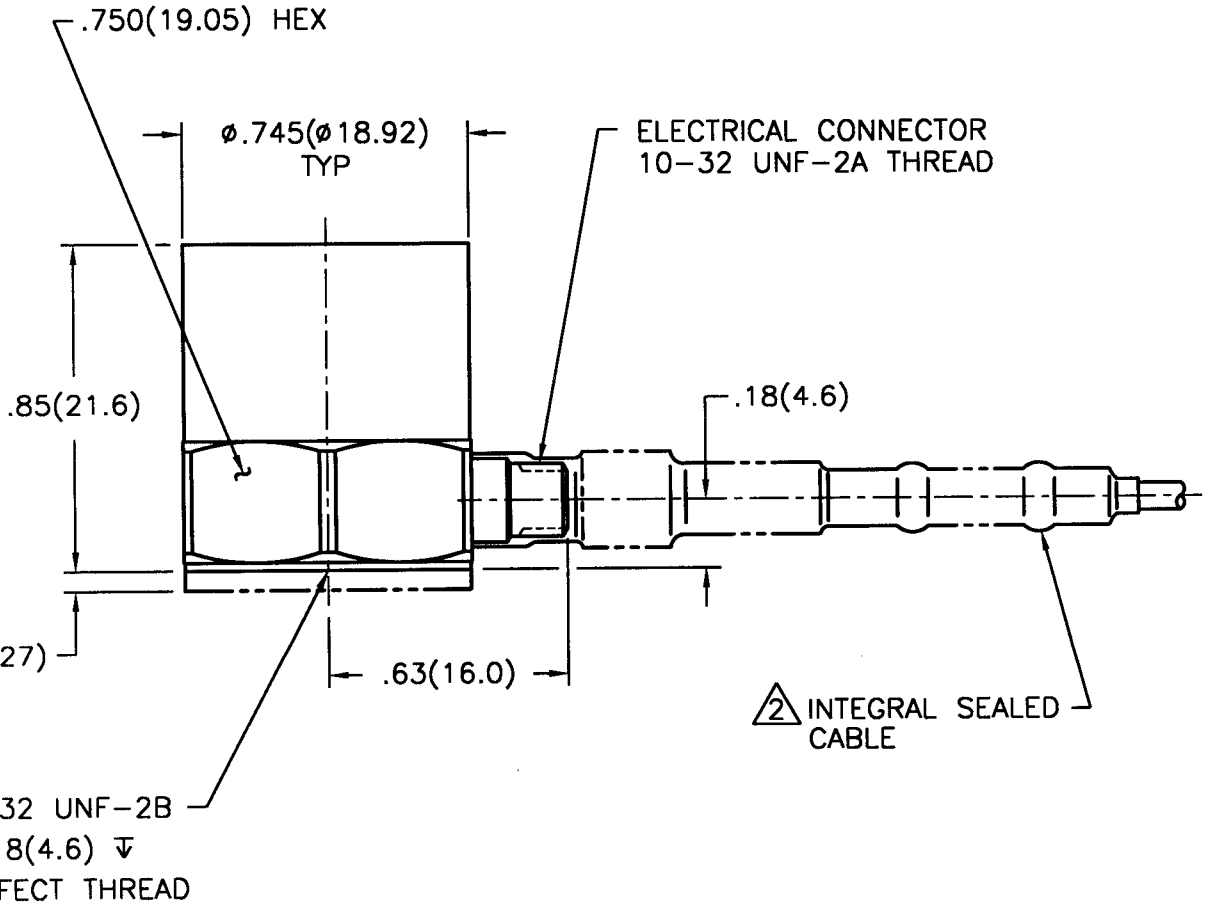


APPLICATION			REVISIONS				
NEXT ASS'Y	USED ON	VAR	REV	DESCRIPTION	ECN	DATE	APP'D

9211

PCB Piezotronics Inc. claims proprietary rights in the information disclosed hereon. Neither it nor any reproduction thereof will be disclosed to others without written consent of PCB Piezotronics Inc.



- ② ADD CABLE FOR SENSOR WITH WATER RESISTANT OPTION.
- ① ADD DIMENSION FOR SENSOR WITH GROUND ISOLATED OPTION.

UNLESS SPECIFIED TOLERANCES		DRAWN	8/24/98	MFG	DA	8/29/98	 3425 WALDEN AVE. DEPEW, NY 14043 (716) 684-0001 EMAIL: SALES@PCB.COM
DIMENSIONS IN INCHES	DIMENSIONS IN MILLIMETERS (IN PARENTHESIS)	CHK'D	DM	ENGR	DS	8/29/98	
DECIMALS XX ± .01 XXX ± .005	DECIMALS XX ± 0.3 XXX ± 0.13	APP'D	1/1/00	SALES	SL	8/28/98	
ANGLES ± 2 DEGREES	ANGLES ± 2 DEGREES	TITLE				CODE IDENT. NO.	DWG. NO.
FILLETS AND RADII .003 - .005	FILLETS AND RADII (0.07 - 0.13)	OUTLINE DRAWING MODEL 320C33 ACCELEROMETER				52681	9211
DD011 REV. B 03/13/98						SCALE: 2 X	SHEET 1 OF 1