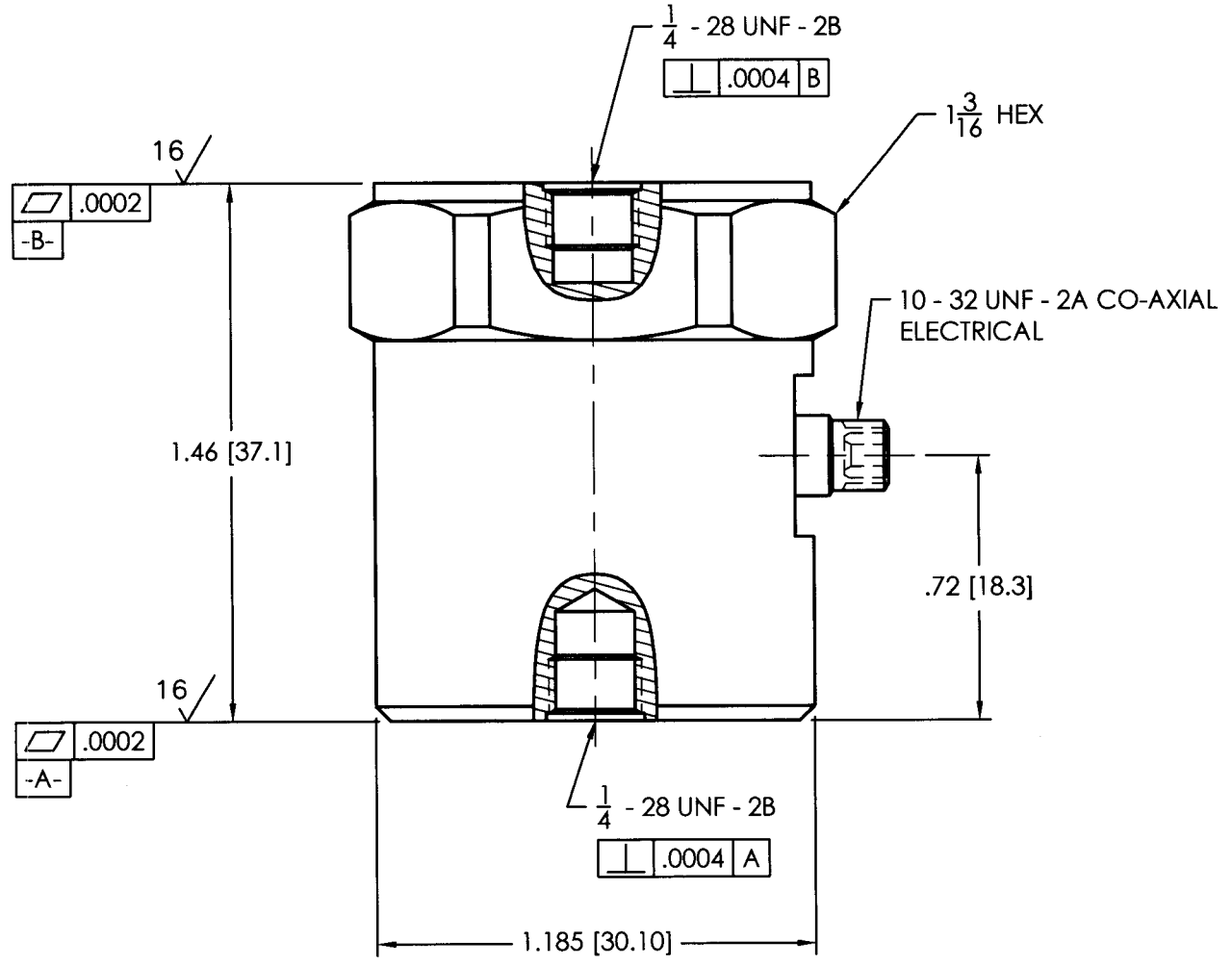


APPLICATION			REVISIONS				
NEXT ASS'Y	USED ON	VAR	REV	DESCRIPTION	ECN	DATE	APP'D
			NR	RELEASED TO DRAFTING		5/16/95	DM
			A	UPDATED TO MEET ISO 16063-21 SPECS	24050	4/10/06	DM 4/10/06

2728

PCB Piezotronics Inc. claims proprietary rights in the information disclosed herein. Neither it nor any reproduction thereof will be disclosed to others without written consent of PCB Piezotronics Inc.



UNLESS SPECIFIED TOLERANCES		DRAWN <i>ENS</i> 4/10/06				MFG <i>NBS</i> 4/10/06		 3425 WALDEN AVE. DEPEW, NY 14043 (716) 684-0001 EMAIL: SALES@PCB.COM	
DIMENSIONS IN INCHES	DIMENSIONS IN MILLIMETERS [IN BRACKETS]	CHK'D <i>DM</i> 4/10/06	ENGR <i>Ph</i> 4/10/06	SALES <i>MA</i> 4/10/06	CODE IDENT. NO. 52681		DWG. NO. 2728		
DECIMALS XX ±.03 XXX ±.010	DECIMALS X ±0.8 XX ±0.25	APP'D <i>JD</i> 4/10/06	TITLE OUTLINE DRAWING MODEL 301A10 ACCELEROMETER		SCALE: 2X		SHEET 1 OF 1		
ANGLES ±2 DEGREES	ANGLES ±2 DEGREES	FILLETS AND RADII .003 - .005		FILLETS AND RADII [0.07 - 0.13]					