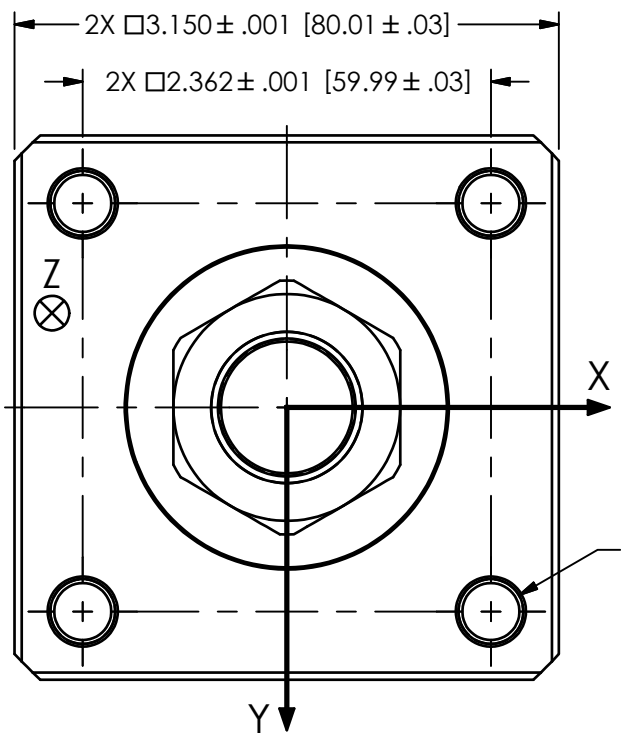


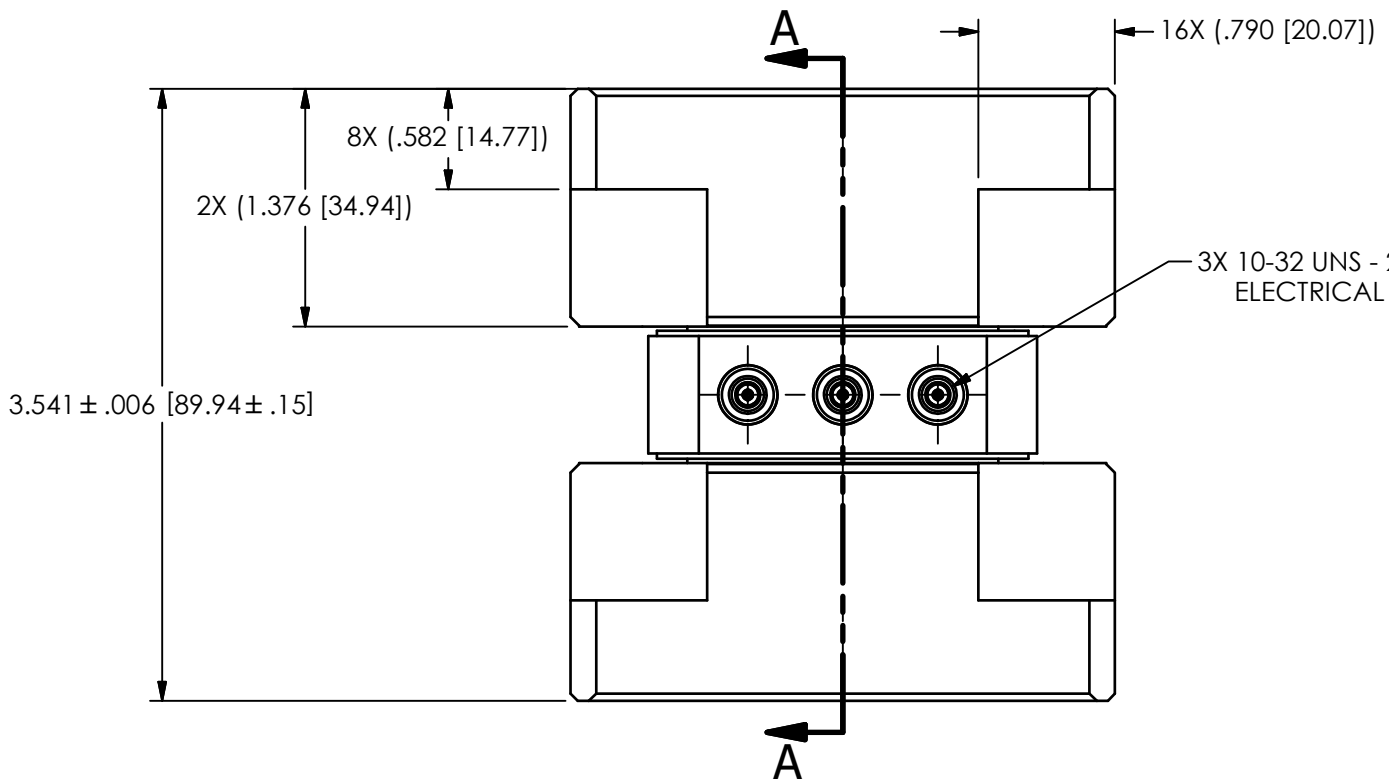
PCB Piezotronics Inc. claims proprietary rights in the information disclosed hereon. Neither it nor any reproduction thereof will be disclosed to others without the written consent of PCB Piezotronics Inc.

76707

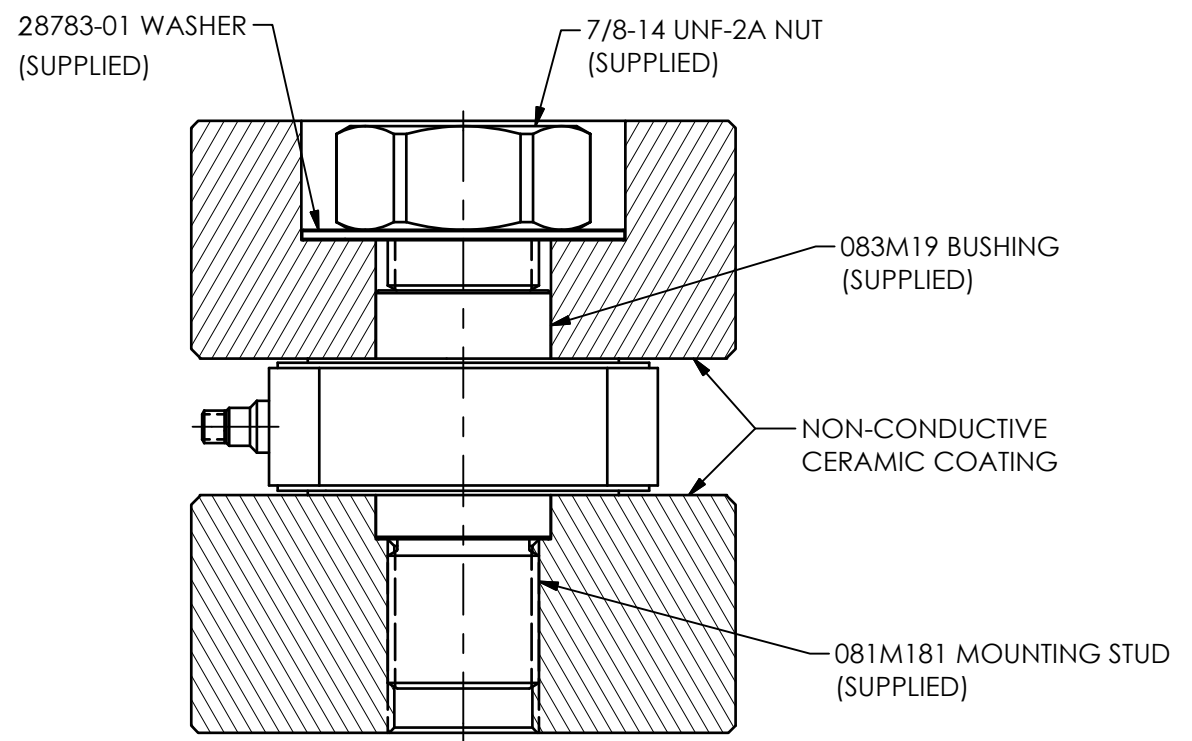
REVISIONS		
REV	DESCRIPTION	DIN
NR	RELEASED TO DRAFTING	52939



8X 3/8-24 UNF - 2B THRU  
[M10x1.5 - 6H THRU]



3X 10-32 UNS - 2A 10-32 UNF-2A  
ELECTRICAL CONNECTOR



SECTION A-A

UNLESS OTHERWISE SPECIFIED TOLERANCES ARE:		DRAWN		CHECKED		ENGINEER		PCB PIEZOTRONICS			
DIMENSIONS IN INCHES		NJF	08/12/22	JDM	08/12/22	EDB	08/12/22	AN AMPHENOL COMPANY			
DECIMALS XX $\pm$ .03		TITLE						3425 WALDEN AVE. DEPEW, NY 14043			
XXX $\pm$ .010								OUTLINE DRAWING		(716) 684-0001 E-MAIL: sales@pcb.com	
ANGLES $\pm$ 2 DEGREES								TRIAXIAL FORCE SENSOR		CODE IDENT. NO. 52681	
CABLE TOLERANCES IN ENGLISH		261B13, M261B13		DWG. NO. 76707		SCALE: .9X		SHEET 1 OF 1			
1" $\le$ LENGTH < 1' = +1' / - 0											
1' $\le$ LENGTH < 5' = +2" / - 0											
5' $\le$ LENGTH < 100' = +6" / - 0											
100' $\le$ LENGTH = +1' / - 0											
FILLETS AND RADII .003 - .005											
DIMENSIONS IN MILLIMETERS [IN BRACKETS]											
DECIMALS X $\pm$ 0.8											
XX $\pm$ 0.25											
ANGLES $\pm$ 2 DEGREES											
CABLE TOLERANCES IN METRIC											
2.54cm $\le$ LENGTH < 30.5cm = +2.54cm / - 0											
30.5cm $\le$ LENGTH < 1.5m = +5.1cm / - 0											
1.5m $\le$ LENGTH < 30.5m = +15.2cm / - 0											
30.5m $\le$ LENGTH = +30.5cm / - 0											
FILLETS AND RADII 0.07 - 0.13											