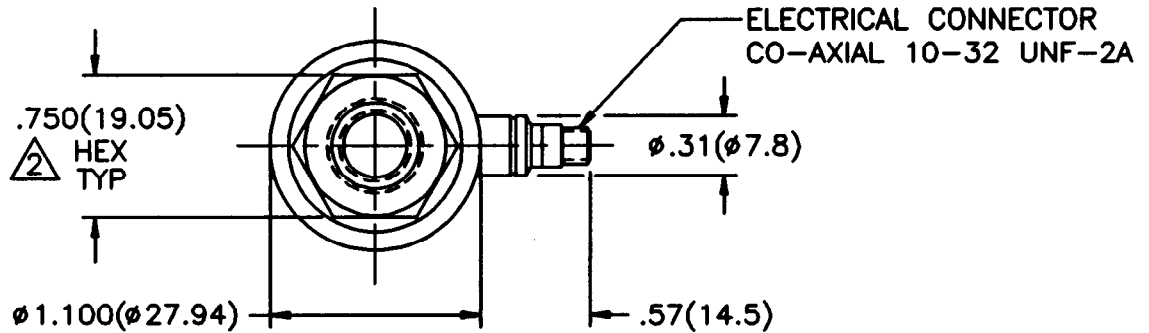


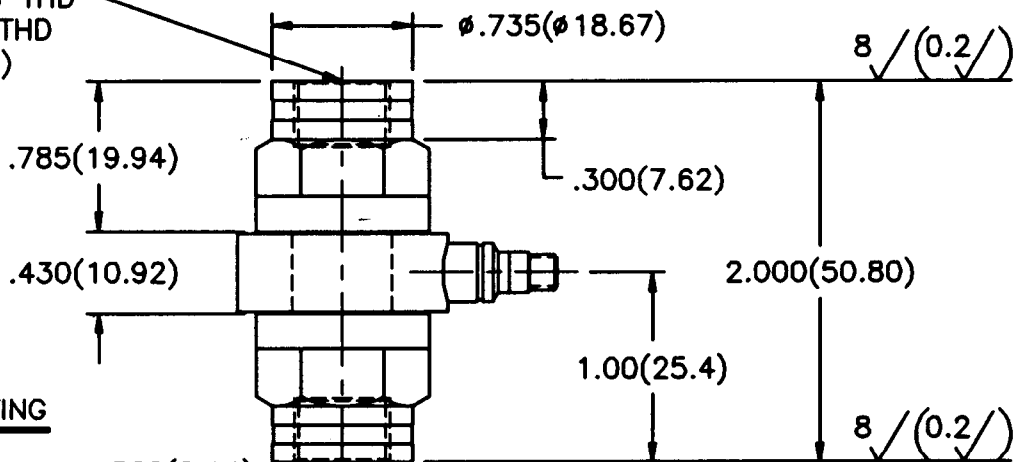
1577

APPLICATION		
NEXT ASS'Y	USED ON	VAR

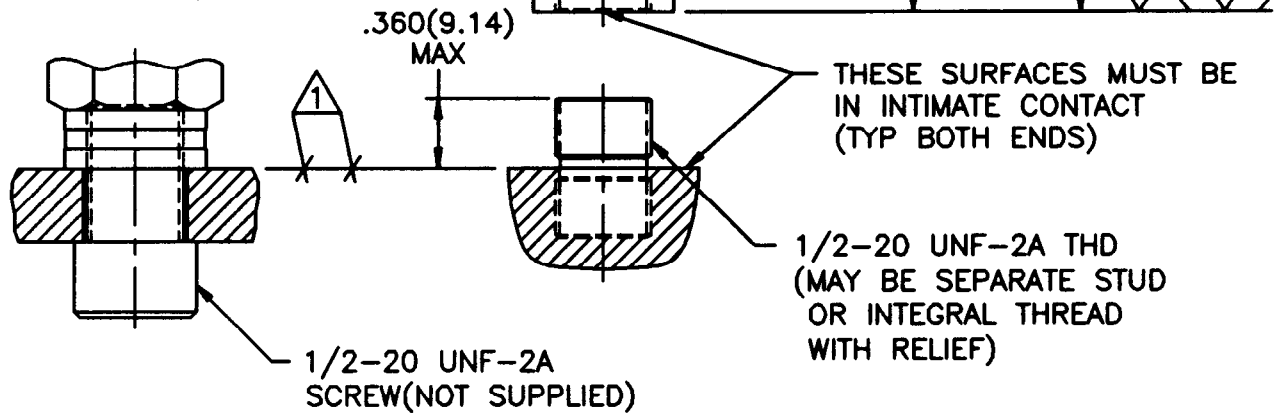
REVISIONS				
REV	DESCRIPTION	ECN	DATE	APP'D



1/2-20 UNF-2B THD
.36(9.1) PERF THD
(TYP BOTH ENDS)



ALTERNATE MOUNTING



- 4.) COMPRESSIVE FORCE RESULTS IN POSITIVE GOING OUTPUT VOLTAGE.
- 3.) EPOXY OR LOCTITE MAY BE USED ON THREADS TO LOCK FORCE LINK IN PLACE.
- 2. RECOMMENDED MOUNTING TORQUE ON .750(19.05) HEX, 5-10 FOOT POUNDS (7-14 NEWTON METERS).
- 1. MOUNTING SURFACE MUST BE FLAT TO WITHIN .001(0.03) TIR WITH A MIN 63√(1.6√) FIN.

UNLESS SPECIFIED TOLERANCES		DRAWN	LAB	8/18/94	MFG	J.S.	8/18/94	PCB PIEZOTRONICS, INC. 3425 WALDEN AVE. DEPEW, NEW YORK 14043 PHONE: (716) 884-0001	
DIMENSIONS IN INCHES	DIMENSIONS IN MILLIMETERS (IN PARENTHESIS)	CHK'D	DM	8/18/94	ENGR	P.M.	8/18/94		
DECIMALS XX ±.01 XXX ±.005	DECIMALS X ±0.3 XX ±0.13	APP'D	LAB	8/18/94					
ANGLES ±2 DEGREES	ANGLES ±2 DEGREES	TITLE					INSTALLATION DRAWING MODEL 223B	CODE IDENT. NO. 52681	DWG. NO. 1577
FILLETS AND RADII .003 - .005 (0.07 - 0.13)		HERMETIC SEALED ICP FORCE LINK					SCALE: FULL	SHEET 1 OF 1	