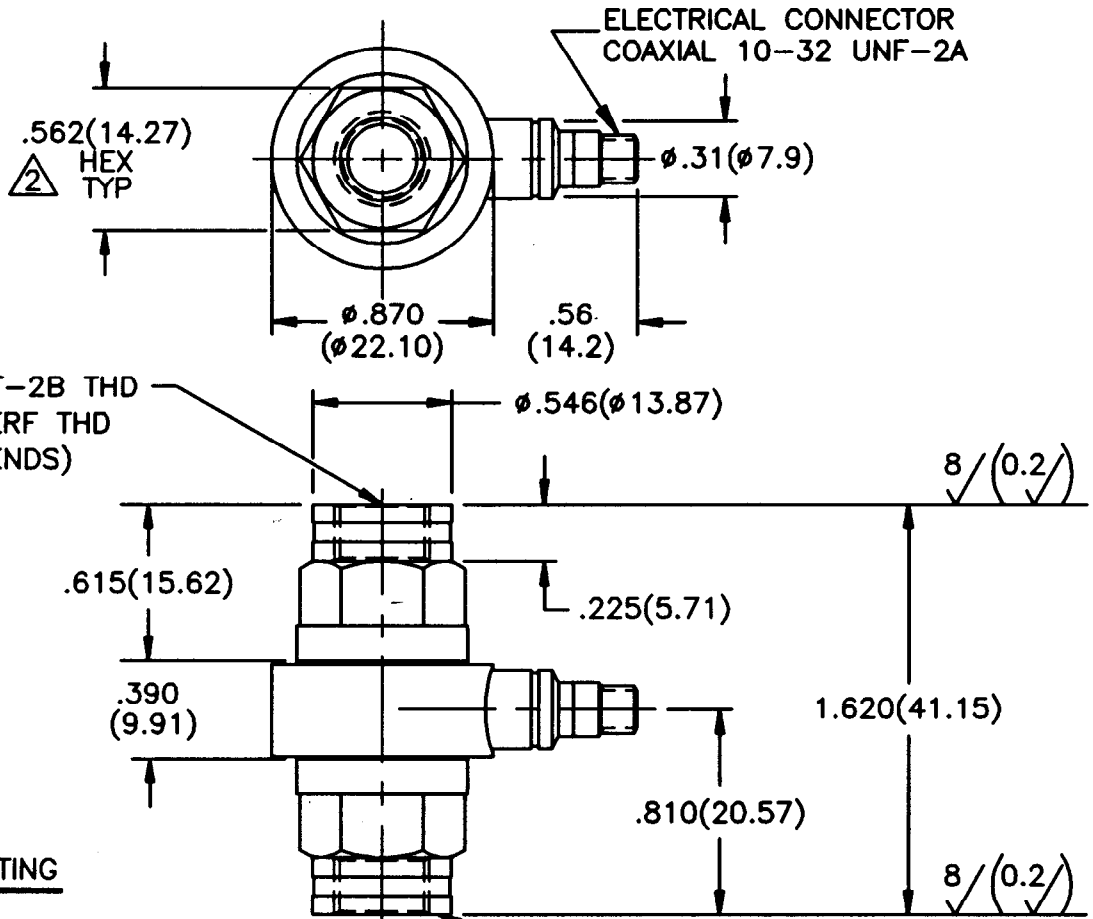


1598

APPLICATION		
NEXT ASS'Y	USED ON	VAR

REVISIONS				
REV	DESCRIPTION	ECN	DATE	APP'D



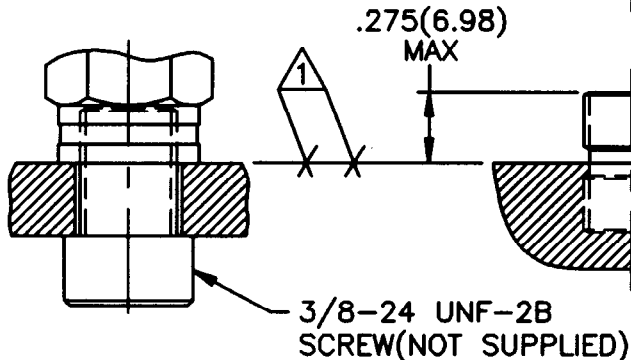
3/8-24 UNF-2B THD  
.30(7.6) PERF THD  
(TYP BOTH ENDS)

ELECTRICAL CONNECTOR  
COAXIAL 10-32 UNF-2A

.562(14.27)  
HEX  
TYP

THESE SURFACES MUST BE  
IN INTIMATE CONTACT  
(TYP BOTH ENDS)

**ALTERNATE MOUNTING**



3/8-24 UNF-2A THD  
(MAY BE SEPARATE STUD  
OR INTEGRAL THREAD  
WITH RELIEF)

- 4.) COMPRESSIVE FORCE RESULTS IN POSITIVE GOING OUTPUT VOLTAGE.
- 3.) EPOXY OR LOCTITE MAY BE USED ON THREADS TO LOCK FORCE LINK IN PLACE.
- 2. RECOMMENDED MOUNTING TORQUE ON .562(14.27) HEX, 5-10 FOOT POUNDS (7-14 NEWTON METERS).
- 1. MOUNTING SURFACE MUST BE FLAT TO WITHIN .001(0.03) TIR WITH A MIN 63°/(1.6°).

UNLESS SPECIFIED TOLERANCES		DRAWN	ZAB	9/2/94	MFG	DL	9/6/94	<b>PCB</b> PIEZOTRONICS, INC. 3425 WALDEN AVE. DEPEW, NEW YORK 14043 PHONE: (716) 684-0001	
DIMENSIONS IN INCHES	DIMENSIONS IN MILLIMETERS (IN PARENTHESIS)	CHK'D	DJA	9/6/94	ENGR	SC	9-7-94		
DECIMALS XX ±.01 XXX ±.005	DECIMALS X ±0.3 XX ±0.13	APP'D	HS	9/7/94	Sales	SL	9/6/94		
ANGLES ±2 DEGREES	ANGLES ±2 DEGREES	TITLE	INSTALLATION DRAWING MODEL 222B HERMETIC SEALED ICP FORCE LINK				CODE IDENT. NO. 52681 DWG. NO. 1598		
FILLETS AND RADII .003 - .005 (0.07 - 0.13)		SCALE: 1.33=1					SHEET 1 OF 1		