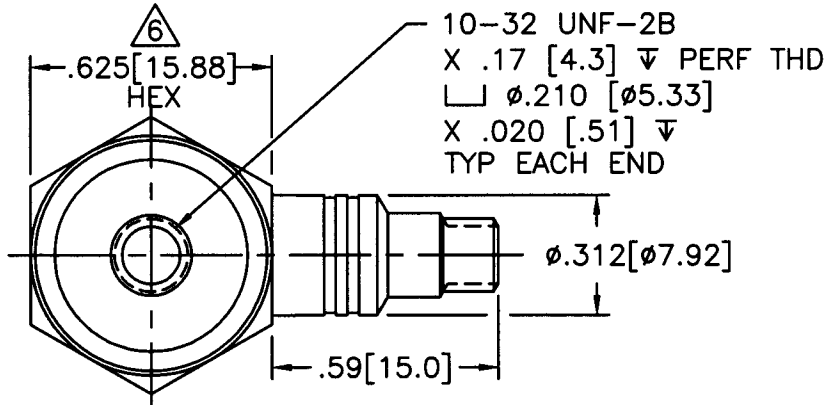


9388

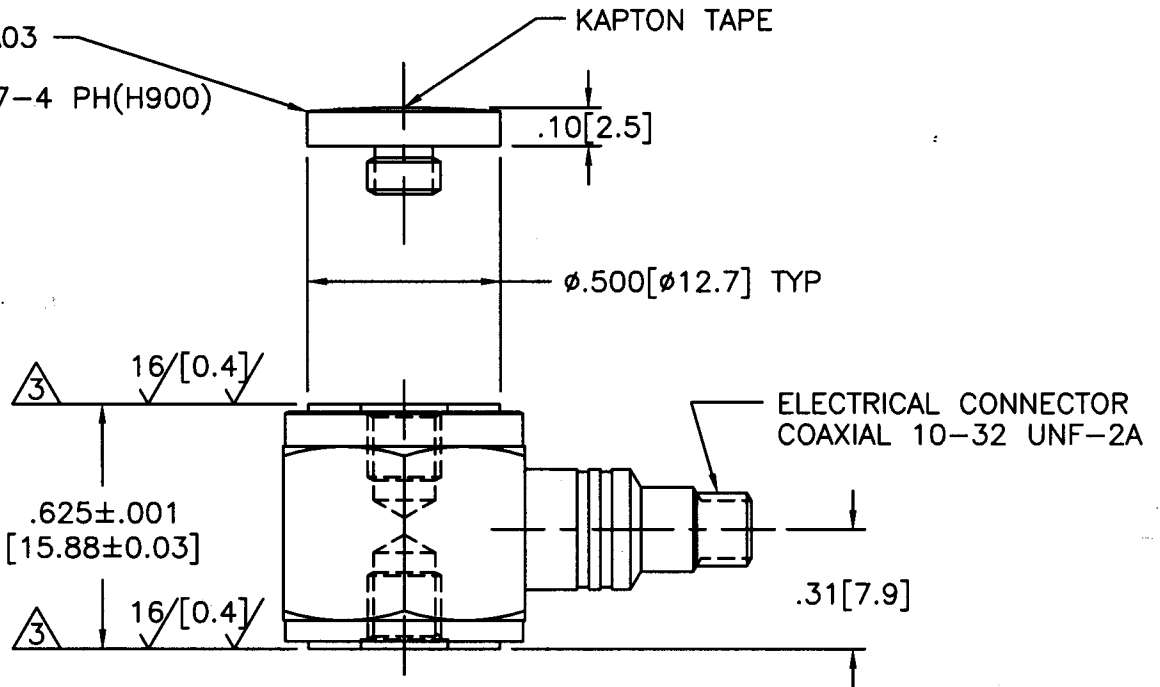
PCB Piezotronics Inc. claims proprietary rights in the information disclosed hereon. Neither it nor any reproduction thereof will be disclosed to others without written consent of PCB Piezotronics Inc.

APPLICATION		
NEXT ASS'Y	USED ON	VAR

REVISIONS				
REV	DESCRIPTION	ECN	DATE	APP'D
C	UPDATE DRAWING	17483	6/24/03	<i>DMB</i>



MODEL 084A03
IMPACT CAP
MATERIAL: 17-4 PH(H900)
(SUPPLIED)



- △6 MOUNTING TORQUE ON .625[15.88] HEX, 16-20 INCH POUNDS [181-226 NEWTON CENTIMETERS].
- 5.) COMPRESSIVE FORCE ON CELL YIELDS POSITIVE OUTPUT VOLTAGE.
- △4 DRILL PERPENDICULAR TO MOUNTING SURFACE TO WITHIN ±1'.
- △3 THESE SURFACES GROUND FLAT AND PARALLEL TO WITHIN .001[0.03] TIR.
- △2 MOUNTING SURFACE TO BE FLAT TO WITHIN .001[0.03] TIR WITH A MIN 125/[3.2].
- 1.) CASE MATERIAL-STAINLESS STEEL.

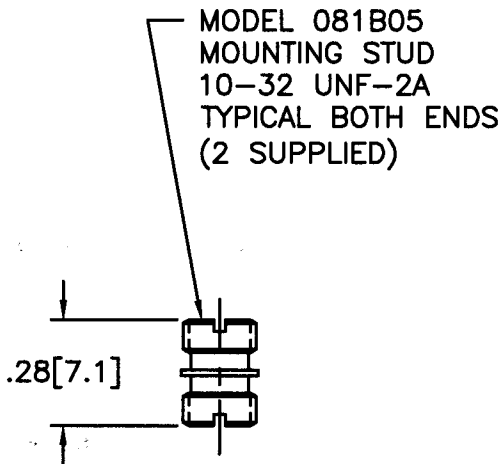
UNLESS SPECIFIED TOLERANCES		DRAWN <i>DMB 6/24/03</i>	MFG <i>DMB 6/30/03</i>	<p>3425 WALDEN AVE. DEPEW, NY 14043 (716) 684-0001 EMAIL: SALES@PCB.COM</p>
DIMENSIONS IN INCHES	DIMENSIONS IN MILLIMETERS [IN BRACKETS]	CHK'D <i>DMB 6/26/03</i>	ENGR <i>DMB 6/26/03</i>	
DECIMALS XX ±.01 XXX ±.005	DECIMALS X ±0.3 XX ±0.13	APP'D <i>DMB 6/26/03</i>	SALES <i>JPM 9/30/03</i>	
ANGLES ±2 DEGREES	ANGLES ±2 DEGREES	TITLE INSTALLATION DRAWING MODEL 218C		
FILLET AND RADII .003 - .005	FILLET AND RADII [0.07 - 0.13]	CODE IDENT. NO. 52681		DWG. NO. 9388
DD011 REV. C 01/21/03	GENERAL PURPOSE CHARGE FORCE SENSOR		SCALE: 2 X	SHEET 1 OF 2

9388

PCB Piezotronics Inc. claims proprietary rights in the information disclosed herein. Neither it nor any reproduction thereof will be disclosed to others without written consent of PCB Piezotronics Inc.

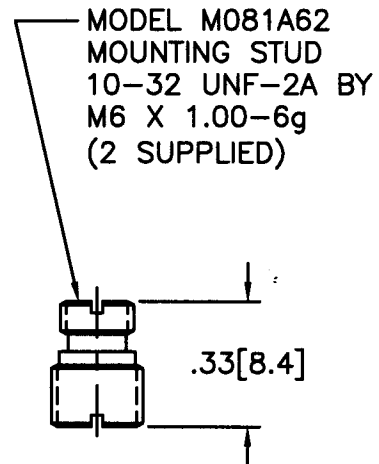
APPLICATION		
NEXT ASS'Y	USED ON	VAR

REVISIONS				
REV	DESCRIPTION	ECN	DATE	APP'D
	-SEE SHEET ONE-			



STANDARD MOUNTING HOLE PREPERATION

DRILL ϕ .159 [ϕ 4.04] \triangle
 X .23 [5.8] ∇ MIN.
 TAP 10-32 UNF-2B
 X .15 [3.8] ∇ MIN.



METRIC MOUNTING HOLE PREPERATION:

DRILL ϕ .199 [ϕ 5.05] \triangle
 X .30 [7.6] ∇ MIN.
 TAP M6 X 1.00-6H
 X .25 [6.4] ∇ MIN.

UNLESS SPECIFIED TOLERANCES		DRAWN	<i>DM</i> 6/30/03	MFG	<i>MS</i> 6/30/03	 3425 WALDEN AVE. DEPEW, NY 14043 (716) 684-0001 EMAIL: SALES@PCB.COM
DIMENSIONS IN INCHES	DIMENSIONS IN MILLIMETERS [IN BRACKETS]	CHK'D	<i>DM</i> 6/30/03	ENGR	<i>AB</i> 6/30/03	
DECIMALS XX \pm .01 XXX \pm .005	DECIMALS X \pm 0.3 XX \pm 0.13	APP'D		SALES	<i>JS</i> 6/30/03	
ANGLES \pm 2 DEGREES	ANGLES \pm 2 DEGREES	TITLE				CODE
FILLET AND RADII .003 - .005	FILLET AND RADII [0.07 - 0.13]	INSTALLATION DRAWING MODEL 218C				IDENT. NO. 52681
DD011 REV. C 01/21/03		GENERAL PURPOSE CHARGE FORCE SENSOR				DWG. NO. 9388
					SCALE: 2 X	SHEET 2 OF 2