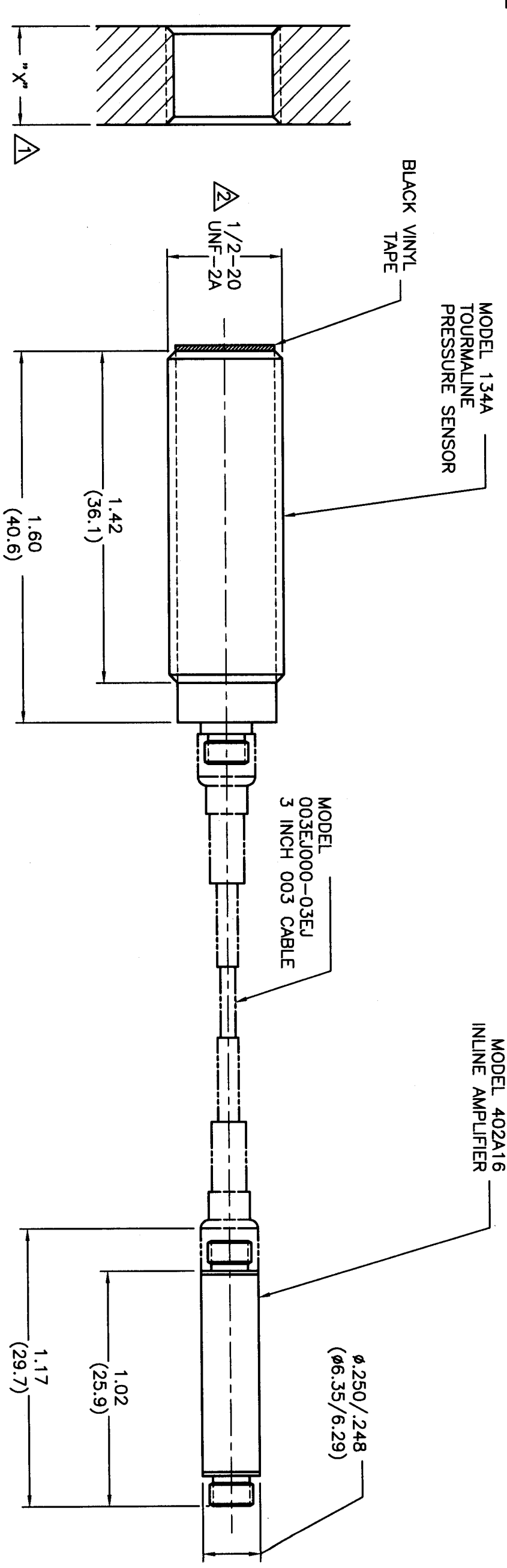


APPLICATION	USED ON	VAR
NEXT ASSY		

PCB Piezotronics Inc. claims proprietary rights in the information disclosed hereon. Neither it nor any reproduction thereof will be disclosed to others without written consent of PCB Piezotronics Inc.

REVISIONS					
ZONE	REV	DESCRIPTION	ECN	DATE	APP'D

14375



MOUNTING HOLE PREPARATION:  
 Ø.453  
 THRU  
 TAP 1/2-20 UNF-2B

- △ TEFLON TAPE OR OTHER THREAD SEALANT IS RECOMMENDED
- △ "X" DIMENSION TO SUIT USER REQUIREMENTS

UNLESS SPECIFIED TOLERANCES		DIMENSIONS IN MILLIMETERS		DRAWN		MFG		DATE	
DIMENSIONS IN INCHES		(IN PARENTHESES)		CHK'D		ENGR		9/27/00	
DECIMALS .XX ±.01		DECIMALS XX ±0.3		RVA		235H		9/27/00	
XXX ±.005		XXX ±0.13		APP'D		SWS		10/3/00	
ANGLES ±2 DEGREES		ANGLES ±2 DEGREES		TITLE		INSTALLATION DRAWING			
FILETS AND RADII		FILETS AND RADII		MODEL 134A23		PRESSURE SENSOR			
.003 - .005		(0.07 - 0.13)		SCALE: 2x		SHEET 1 OF 1			

**PCB PIEZOTRONICS**  
 3425 WALDEN AVE. DEPT. ENR, NY 14043  
 (716) 844-0001 EMAIL: SALES@PCB.COM

CODE: 52681  
 DWG. NO.: 14375

DD012 REV. B 03/13/98