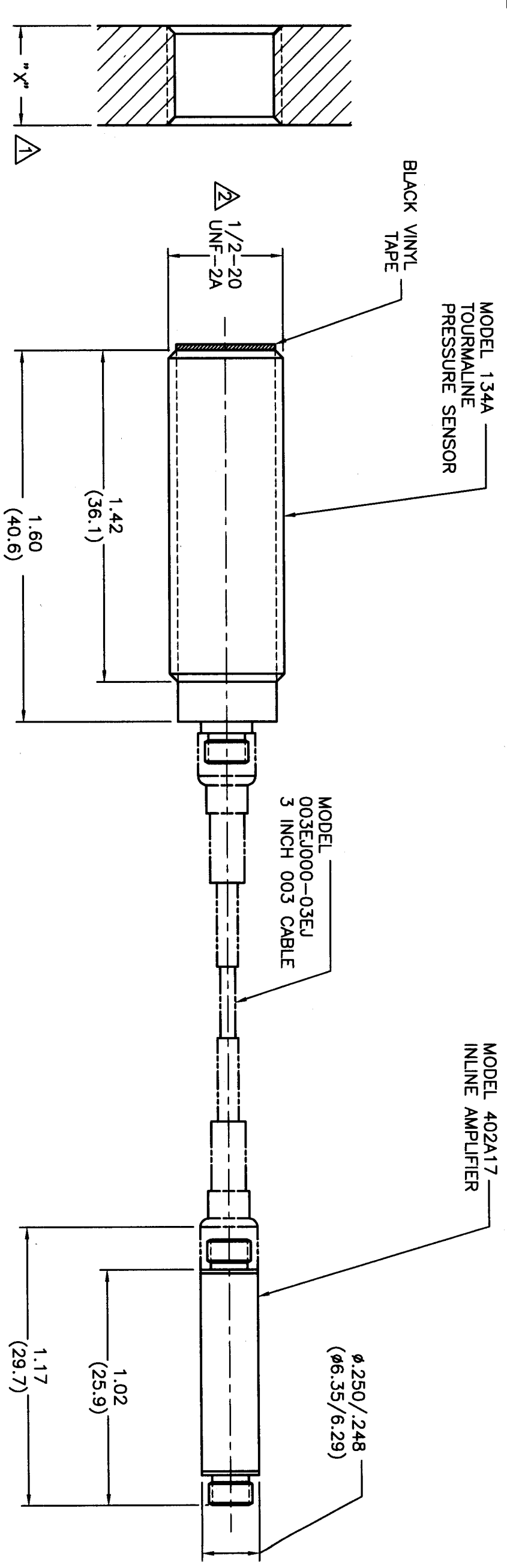


APPLICATION USED ON VAR

PCB Piezotronics Inc. claims proprietary rights in the information disclosed hereon. Neither it nor any reproduction thereof will be disclosed to others without written consent of PCB Piezotronics Inc.

REVISIONS		ECN	DATE	APP'D
ZONE	REV	DESCRIPTION		

14377



MOUNTING HOLE PREPARATION:
 ϕ .453
 THRU
 TAP 1/2-20 UNF-2B

- TEFLON TAPE OR OTHER THREAD SEALANT IS RECOMMENDED
- "X" DIMENSION TO SUIT USER REQUIREMENTS

UNLESS SPECIFIED TOLERANCES		DIMENSIONS IN MILLIMETERS (IN PARENTHESES)		DRAWN	CHK'D	APP'D	TITLE	PCB PIEZOTRONICS	
DIMENSIONS IN INCHES	DECIMALS XX ±.01	DIMENSIONS IN MILLIMETERS	DECIMALS XX ±0.3	DBJ	RM	RM	INSTALLATION DRAWING	3425 WALDEN AVE. DEPT. 14043	DENT. NO. 52681 DWR. NO. 14377 SCALE: 2x SHEET 1 OF 1
	XX ±.005		XX ±0.13	9/15/00	9/22/00	9/22/00	MODEL 134A27	(719) 884-0001 EMAIL: SALES@PCB.COM	
	ANGLES ±2 DEGREES		ANGLES ±2 DEGREES	9/22/00	9/22/00	9/22/00	MODEL 134A27		
	FILETS AND RADI		FILETS AND RADI (0.07 - 0.13)				MODEL 134A27		
	.003 - .005						MODEL 134A27		

DD012 REV. B 03/13/98

