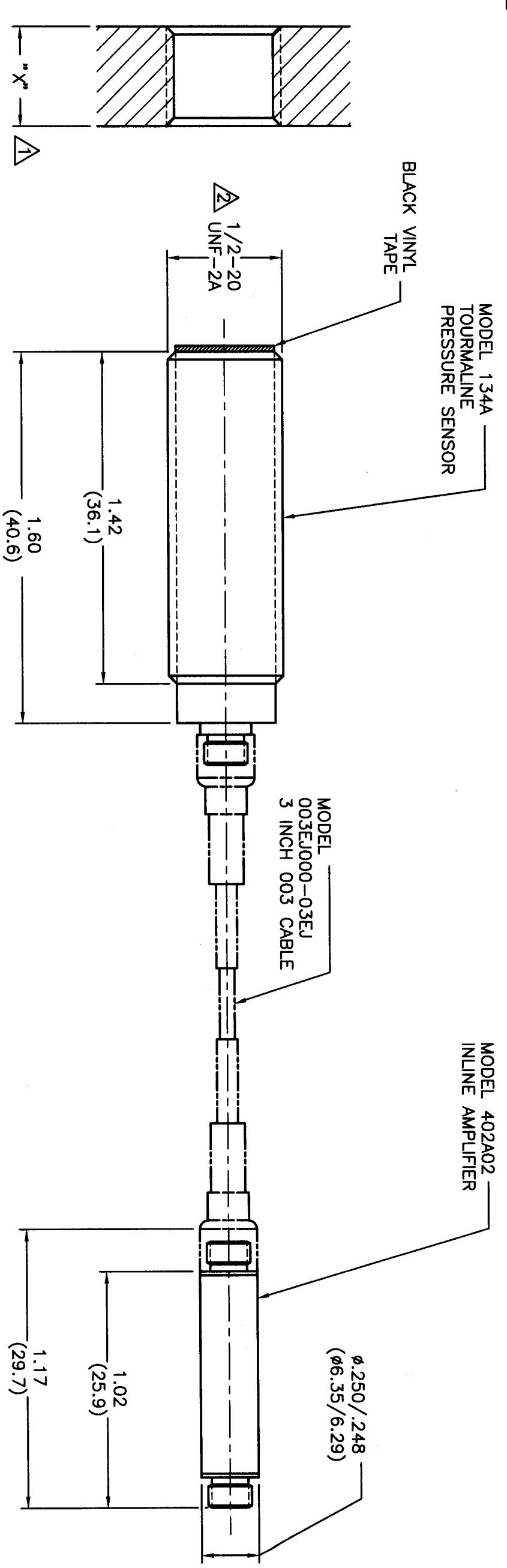


APPLICATION			PCB Piezotronics Inc. claims proprietary rights in the information disclosed hereon. Neither it nor any reproduction thereof will be disclosed to others without written consent of PCB Piezotronics Inc.
NEXT ASSY	USED ON	VAR	

REVISIONS			
ZONE	REV	DESCRIPTION	APP'D

14374



MOUNTING HOLE PREPARATION:  
 Ø.453  
 THRU  
 TAP 1/2-20 UNF-2B

- △ TEFLON TAPE OR OTHER THREAD SEALANT IS RECOMMENDED
- △ "X" DIMENSION TO SUIT USER REQUIREMENTS

UNLESS SPECIFIED TOLERANCES		DIMENSIONS IN MILLIMETERS		DRAWN		MFG		DATE	
DIMENSIONS IN INCHES		(IN PARENTHESES)		CHK'D		ENGR		10/2/02	
DECIMALS .XX ±.01	DECIMALS .XX ±0.3	DECIMALS .XX ±0.13	DECIMALS .XX ±0.3	DBJ	DM	WJH	WJS	9/15/00	10/2/02
ANGLES ±2 DEGREES	ANGLES ±2 DEGREES	ANGLES ±2 DEGREES	ANGLES ±2 DEGREES	9/22/00	9/22/00	9/22/00	9/22/00	9/22/00	9/22/00
FILLETS AND RADI	FILLETS AND RADI	FILLETS AND RADI	FILLETS AND RADI	10/2/02	10/2/02	10/2/02	10/2/02	10/2/02	10/2/02
.003 - .005	(0.07 - 0.13)			TITLE: INSTALLATION DRAWING					
		MODEL 134A22							
		PRESSURE SENSOR							
D00012 REV. B 03/13/98		SCALE: 2X		SHEET 1 OF 1					

