

APPLICATION

REVISIONS

NEXT ASS'Y	USED ON	VAR

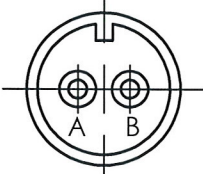
REV	DESCRIPTION	ECN	APP'D
NR	RELEASED TO DRAFTING		ECB 2907

36687

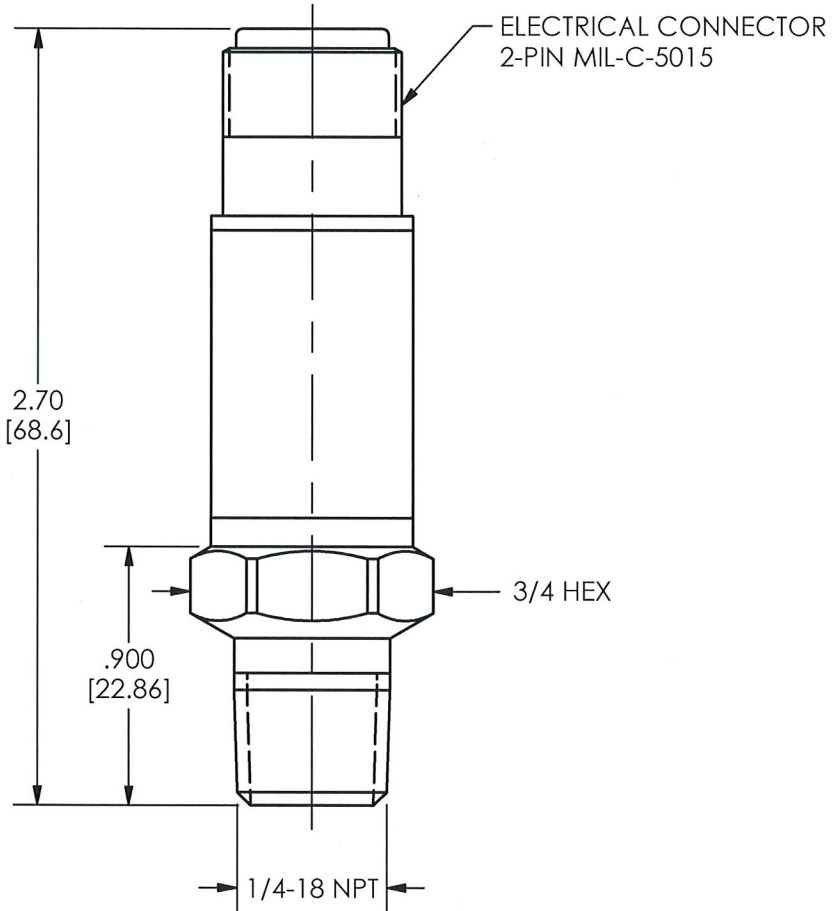
Related Drawing

No modifications permitted without the approval of the authorized person

PINOUT

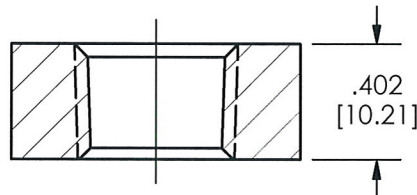


A = POWER/INPUT
B = GROUND



MOUNTING HOLE PREPERATION

Ø.437 [Ø11.10]
X .402 [10.21] ▽ MIN
1/4-18 NPT



- 4.) THIS IS A SEALED ASSEMBLY AND SHOULD BE RETURNED TO THE FACTORY SHOULD SERVICE BECOME NECESSARY.
- 3.) USE PIPE JOINT COMPOUND TO ASSURE A TIGHT SEAL.
- 2 RECOMMENDED MOUNTING TORQUE ON 3/4 HEX: 5-7FT LBS [7-9 Nm].
- 1.) RECOMMENDED MAX INSERTION OF ADAPTOR INTO MOUNTING HOLE NOT TO EXCEED .402[10.21].

UNLESS OTHERWISE SPECIFIED TOLERANCES ARE:

DIMENSIONS IN INCHES	DIMENSIONS IN MILLIMETERS [IN BRACKETS]
DECIMALS XX ± .01 XXX ± .005	DECIMALS X ± 0.3 XX ± 0.13
ANGLES ± 2 DEGREES	ANGLES ± 2 DEGREES

FILLETS AND RADII
.003 - .005

FILLETS AND RADII
[0.07 - 0.13]

DRAWN	ECB	2907	MFG	PRR	2-9-07
CHK'D	ECB	2907	ENGR	RF	2-9-07
APP'D	NJL	2/19/07	SALES	DPC	2/19/07

INSTALLATION DRAWING
MODEL 121A41,A44,A45
PRESSURE SENSOR

PCB PIEZOTRONICS^{INC}
3425 WALDEN AVE. DEPEW, NY 14043
(716) 684-0001 E-MAIL: sales@pcb.com

CODE IDENT. NO. 52681	DWG. NO. 36687
SCALE: 1.5X	SHEET 1 OF 1

PCB Piezotronics Inc. claims proprietary rights in the information disclosed hereon. Neither it nor any reproduction thereof will be disclosed to others without the written consent of PCB Piezotronics Inc.