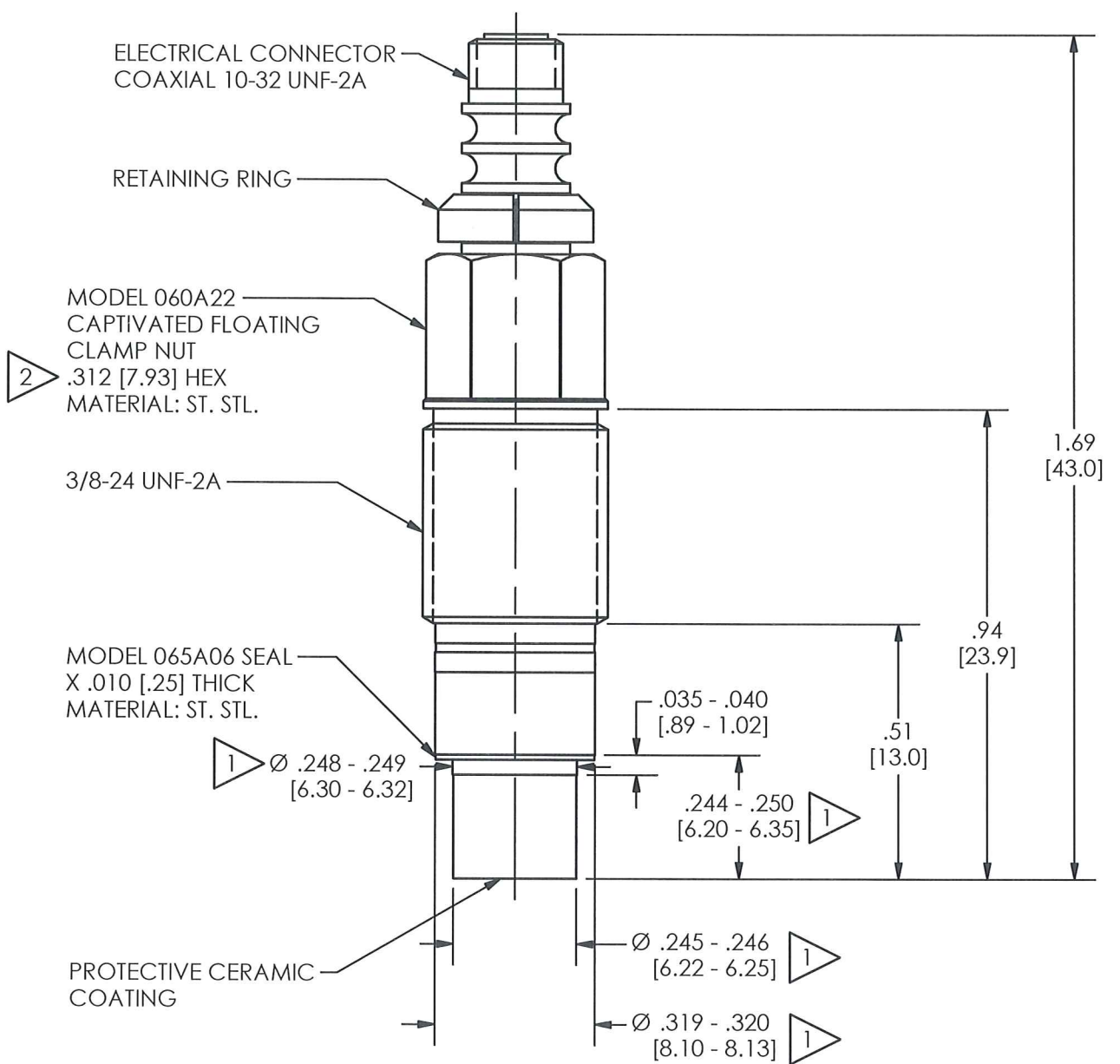


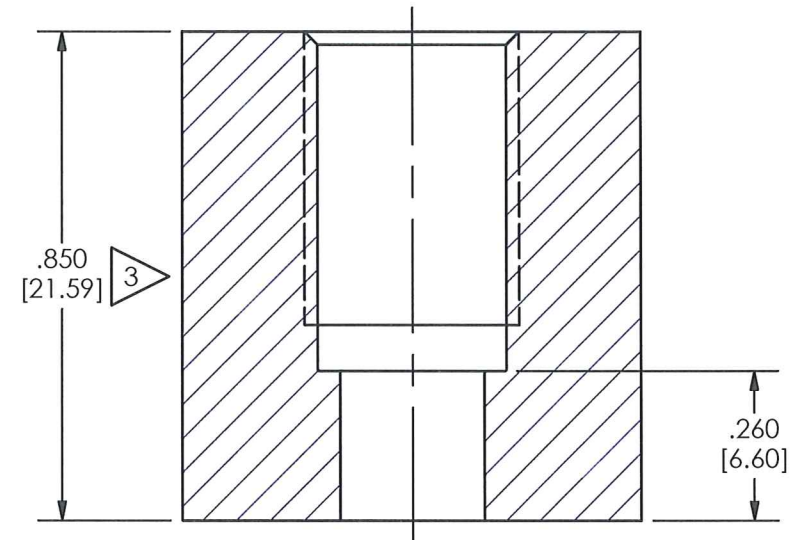
PCB Piezotronics Inc. claims proprietary rights in the information disclosed hereon. Neither it nor any reproduction thereof will be disclosed to others without the written consent of PCB Piezotronics Inc.

REVISIONS		
REV	DESCRIPTION	DIN
E	UPDATED NOTE 2	37802

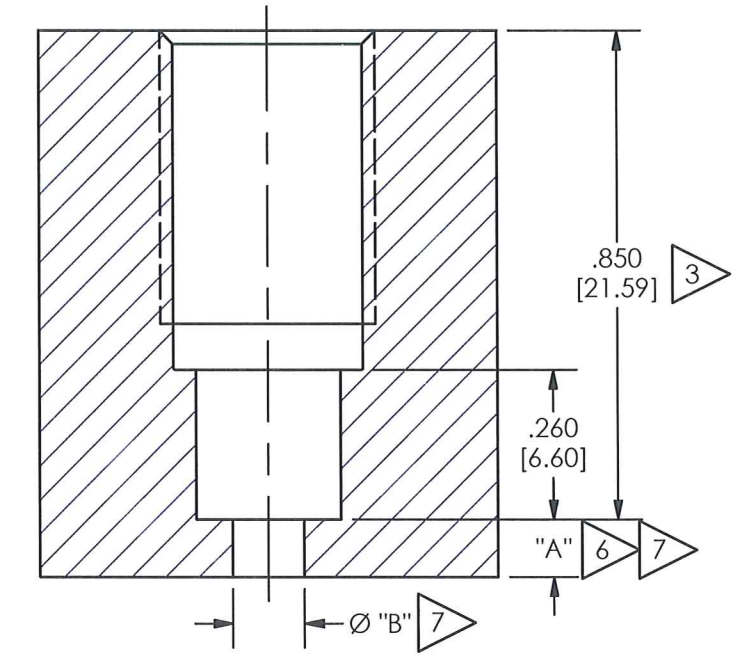
20671



FLUSH INSTALLATION



RECESSED INSTALLATION



MOUNTING HOLE DIMENSIONS

- 3 5  $\square$   $\varnothing .252 \pm .001 [6.40 \pm .03]$  THRU
- 4 5  $\square$   $\varnothing .332 \pm .001 [8.43 \pm .03]$  ( $\nabla .590 [14.99]$ )
- 8 3/8-24 UNF-2B  $\nabla .510 [12.95]$

MOUNTING HOLE DIMENSIONS

- 3 5  $\square$   $\varnothing .252 \pm .001 [6.40 \pm .03]$   $\nabla .850 [21.59]$
- 4 5  $\square$   $\varnothing .332 \pm .001 [8.43 \pm .03]$  ( $\nabla .590 [14.99]$ )
- 8 3/8-24 UNF-2B  $\nabla .510 [12.95]$

- 8 CAUTION: DO NOT TOUCH SEAL SURFACE WITH TAP WHEN TAPPING HOLE.
- 7 DIMENSION "A" & "B" TO SUIT USER REQUIREMENTS.
- 6 KEEP "A" AS SHORT AS POSSIBLE, SEE OPERATING GUIDE FOR OPTIMUM PASSAGE LENGTH.
- 5 THESE DIAMETERS TO BE CONCENTRIC WITHIN .001 [.03] TIR.
- 4 SEAL SURFACE SHOULD BE FLAT AND FREE OF TOOL MARKS WITH A MINIMUM 63[1.6] FINISH FOR BEST RESULTS.
- 3 DIMENSIONS SHOWN ARE FOR .850 [21.59] WALL THICKNESS. COUNTERBORE FOR THICKER WALL.
- 2 RECOMMENDED MOUNTING TORQUE ON .312 [7.93] HEX: 27-32 FT-LB [36-43 N-M].
- 1 MATERIAL: C-300 MARAGING STEEL.

UNLESS OTHERWISE SPECIFIED TOLERANCES ARE:		DRAWN	CHECKED	ENGINEER	 3425 WALDEN AVE. DEPEW, NY 14043 (716) 684-0001 E-MAIL: sales@pcb.com
DIMENSIONS IN INCHES	DIMENSIONS IN MILLIMETERS [IN BRACKETS]	JDM	12/6/11	NJL	
DECIMALS XX ±.01 XXX ±.005	DECIMALS X ± 0.3 XX ± 0.13	TITLE		INSTALLATION DRAWING MODEL 119B11, B12 PRESSURE SENSOR	
ANGLES ± 2 DEGREES	ANGLES ± 2 DEGREES	CODE IDENT. NO. 52681		DWG. NO. 20671	
FILLETS AND RADII .003 - .005	FILLETS AND RADII 0.07 - 0.13	SCALE: 3X		SHEET 1 OF 1	