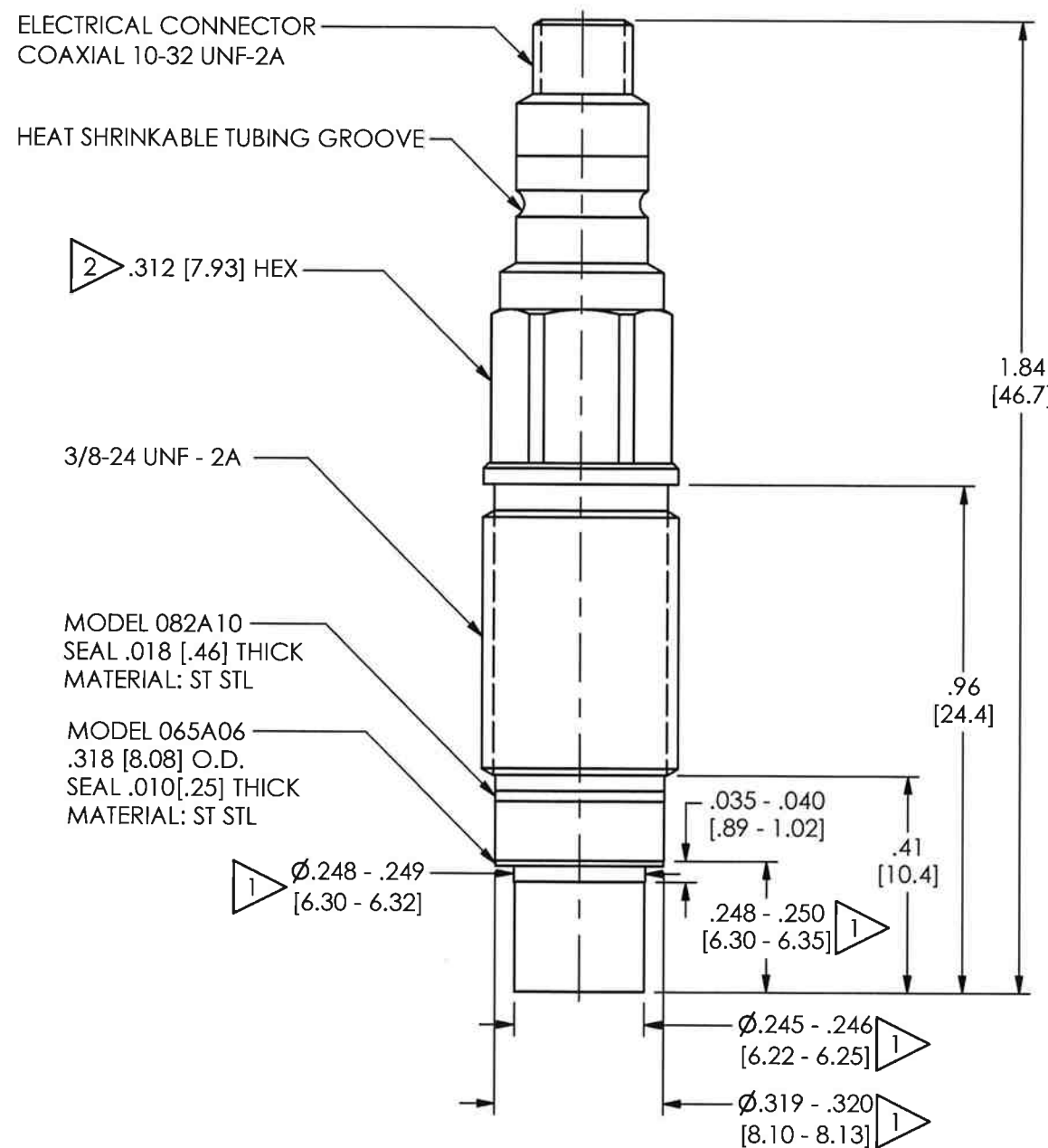


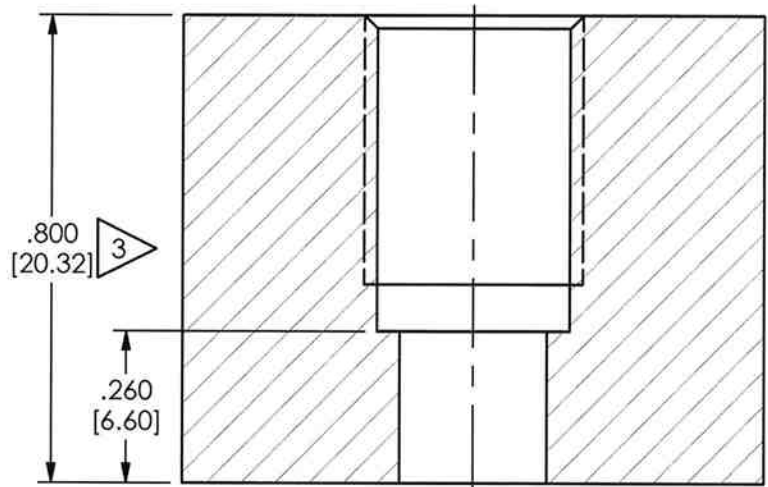
118-1020-90

PCB Piezotronics Inc. claims proprietary rights in the information disclosed hereon. Neither it nor any reproduction thereof will be disclosed to others without the written consent of PCB Piezotronics Inc.

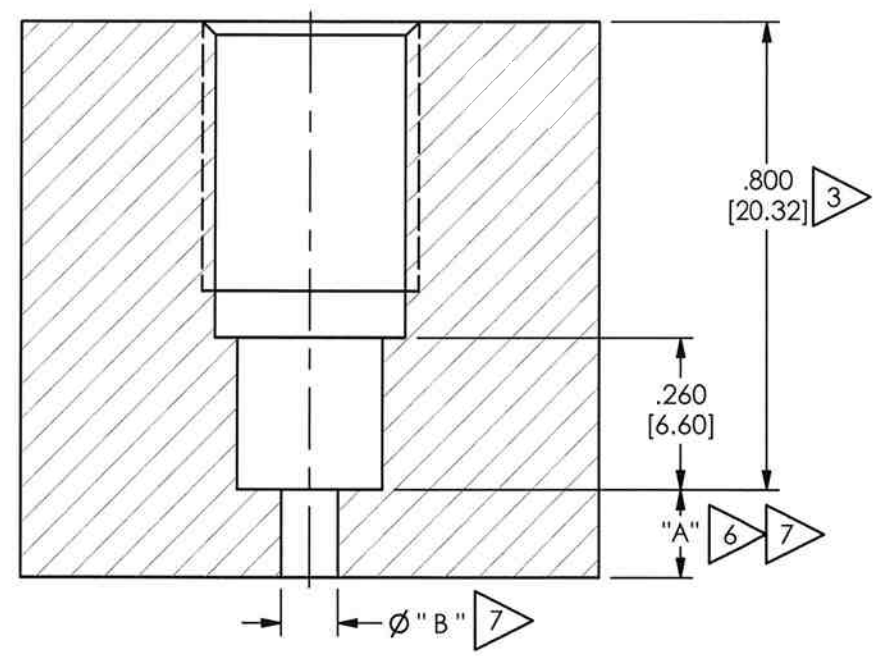
REVISIONS		
REV	DESCRIPTION	ECO
G	CONNECTOR REDRAWN	18545
H	UPDATED FORMATE	29412



### FLUSH INSTALLATION



### RECESSED INSTALLATION



#### MOUNTING HOLE DIMENSIONS

- 3 5 Ø.252± .001 [6.40± .03] THRU
- 4 5 Ø.332± .001 [8.43± .03] (X .540 [13.72] ∇)
- 8 3/8-24 UNF-2B (X .460 [11.68] ∇ PERFECT THREAD)

#### MOUNTING HOLE DIMENSIONS

- 3 5 □ Ø.252± .001 [6.40± .03] X .800 [20.32] ∇
- 4 5 □ Ø.332± .001 [8.43± .03] (X .540 [13.72] ∇)
- 8 3/8-24 UNF-2B (X .460 [11.68] ∇ PERFECT THREAD)

- 8 CAUTION: DO NOT TOUCH SEAL SURFACE WITH TAP WHEN TAPPING HOLE.
- 7 DIMENSIONS "A" AND "B" TO SUIT USER REQUIREMENTS.
- 6 KEEP DIMENSION "A" AS SHORT AS POSSIBLE, SEE OPERATING GUIDE FOR OPTIMUM PASSAGE LENGTH.
- 5 THESE DIAMETERS TO BE CONCENTRIC TO WITHIN .001 [0.03] TIR.
- 4 SEAL SURFACE SHOULD BE FLAT AND FREE OF TOOL MARKS WITH A MINIMUM  $63 [1.6] \sqrt{\text{FINISH}}$  FOR BEST RESULTS.
- 3 DIMENSIONS SHOWN ARE FOR .800 [20.32] THICK WALL. COUNTERBORE FOR THICKER WALLS.
- 2 RECOMMENDED MOUNTING TORQUE ON .312 [7.93] HEX: 20-25 FT-LB [27-34 N-M]
- 1 MATERIAL: C-300 MARAGING STEEL.

UNLESS OTHERWISE SPECIFIED TOLERANCES ARE:		DRAWN	MCG	5/19/09	MFG	PRR	5/19/09	 3425 WALDEN AVE. DEPEW, NY 14043 (716) 684-0001 E-MAIL: sales@pcb.com
DIMENSIONS IN INCHES	DIMENSIONS IN MILLIMETERS [IN BRACKETS]	CHK'D	ECB	5/20/09	ENGR	APB	5/19/09	
DECIMALS XX ±.01 XXX ±.005	DECIMALS X ±.3 XX ±.13	APP'D	EB	5/19/09	SALES	RWM	5/19/09	
ANGLES ± 2 DEGREES	ANGLES ± 2 DEGREES	TITLE						
FILLETS AND RADII .003 - .005	FILLETS AND RADII [0.07 - 0.13]	INSTALLATION DRAWING MODEL 118A02 PRESSURE SENSOR						CODE IDENT. NO. 52681
								DWG. NO. 118-1020-90
								SCALE: 3X SHEET 1 OF 1