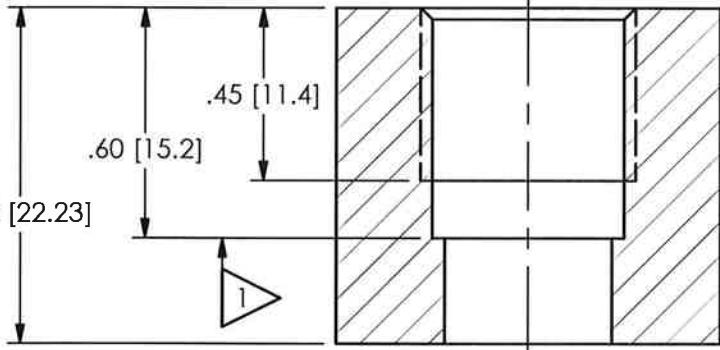
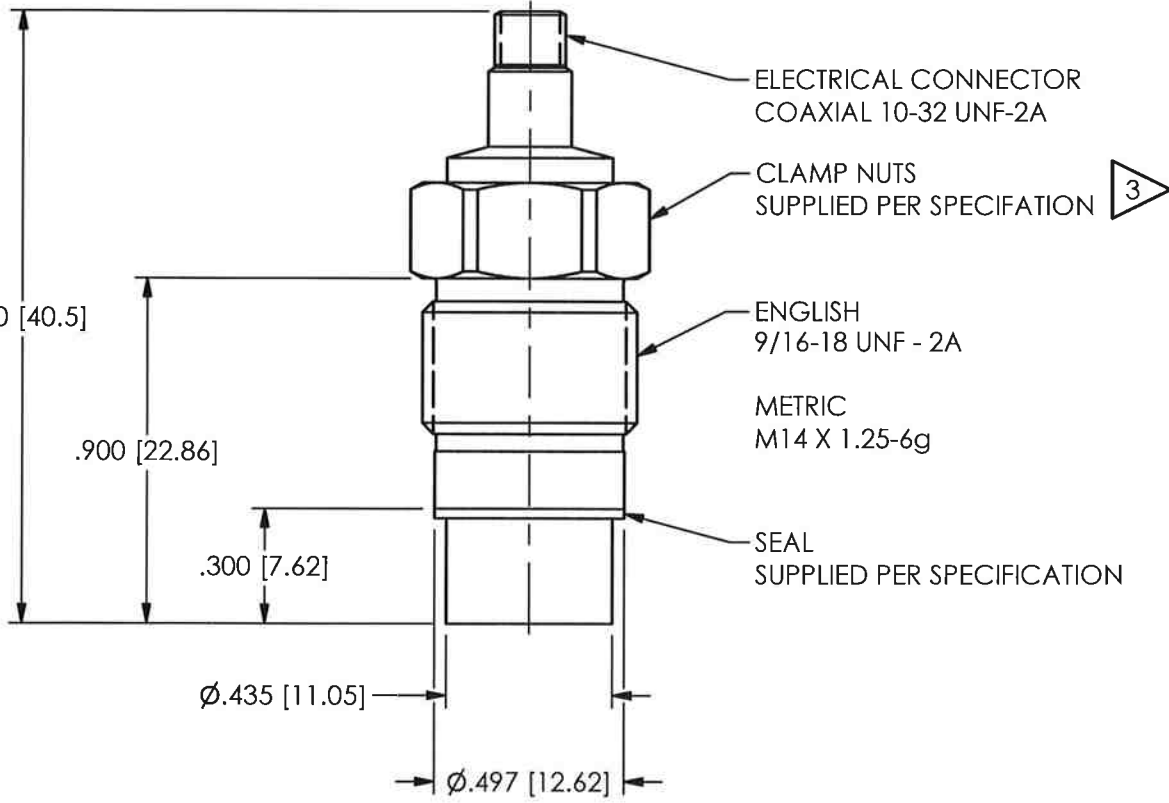


PCB Piezotronics Inc. claims proprietary rights in the information disclosed herein. Neither it nor any reproduction thereof will be disclosed to others without the written consent of PCB Piezotronics Inc.

REVISIONS

REV	DESCRIPTION	ECO
NR	RELEASED TO DRAFTING	
A	ADDED METRIC MOUNTING	30167

3616



MOUNTING HOLE PREPARATION:

ENGLISH MOUNTING:
 Ø.437 [11.10]
 THRU
 □ Ø.515 [11.10]
 X .600 [15.24] ▽
 9/16-18 UNF-2B
 X .450 [11.43] ▽

METRIC MOUNTING:
 Ø.437 [Ø11.10]
 THRU
 □ Ø.500 [Ø12.70]
 X .600 [15.24] ▽
 M14 X 1.25-6H
 X .450 [11.43] ▽

- 4 DIMENSIONS SHOWN ARE FOR .875 [22.23] THICK WALL. □ FOR THICKER WALLS.
- 3 RECOMMENDED MOUNTING TORQUE ON CLAMP NUT 5-6 FOOT POUNDS [7-8 NEWTON METERS].
- 2 DRILL PERPENDICULAR TO MOUNTING SURFACE TO WITHIN ± 1°.
- 1 SEAL SURFACE SHOULD BE FLAT AND FREE OF TOOL MARKS WITH A MINIMUM 63 [1.6] FINISH FOR BEST RESULTS.

UNLESS OTHERWISE SPECIFIED TOLERANCES ARE:

DIMENSIONS IN INCHES	DIMENSIONS IN MILLIMETERS [IN BRACKETS]
DECIMALS XX ±.01 XXX ±.005	DECIMALS X ±.3 XX ±.13
ANGLES ± 2 DEGREES	ANGLES ± 2 DEGREES
FILLETS AND RADII .003 - .005	FILLETS AND RADII [0.07 - 0.13]

DRAWN	SMB	3/10/09	MFG	APB	3/10/09
CHK'D	EB	3/10/09	ENGR	BM	3/10/09
APP'D	EB	3/10/09	SALES	RWM	3/10/09

TITLE
 INSTALLATION DRAWING
 MODEL 106M131
 PRESSURE SENSOR

PCB PIEZOTRONICS INC
 3425 WALDEN AVE. DEPEW, NY 14043
 (716) 684-0001 E-MAIL: sales@pcb.com

CODE IDENT. NO. 52681
 DWG. NO. 3616

SCALE: 2X SHEET 1 OF 1