

2

1

PCB Piezotronics Inc. claims proprietary rights in the information disclosed hereon. Neither it nor any reproduction thereof will be disclosed to others without the written consent of PCB Piezotronics Inc.

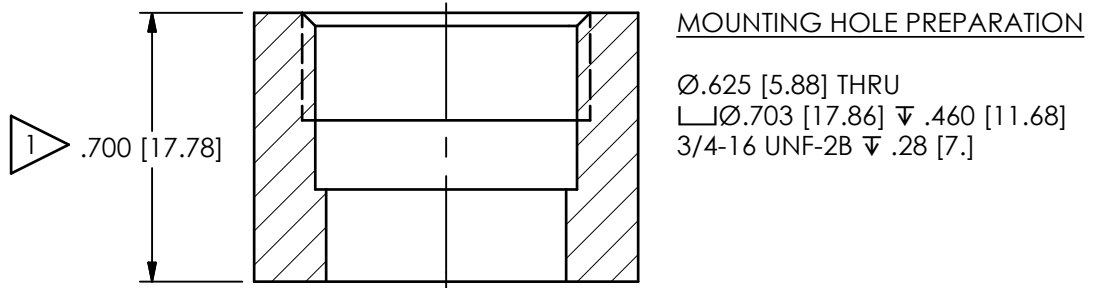
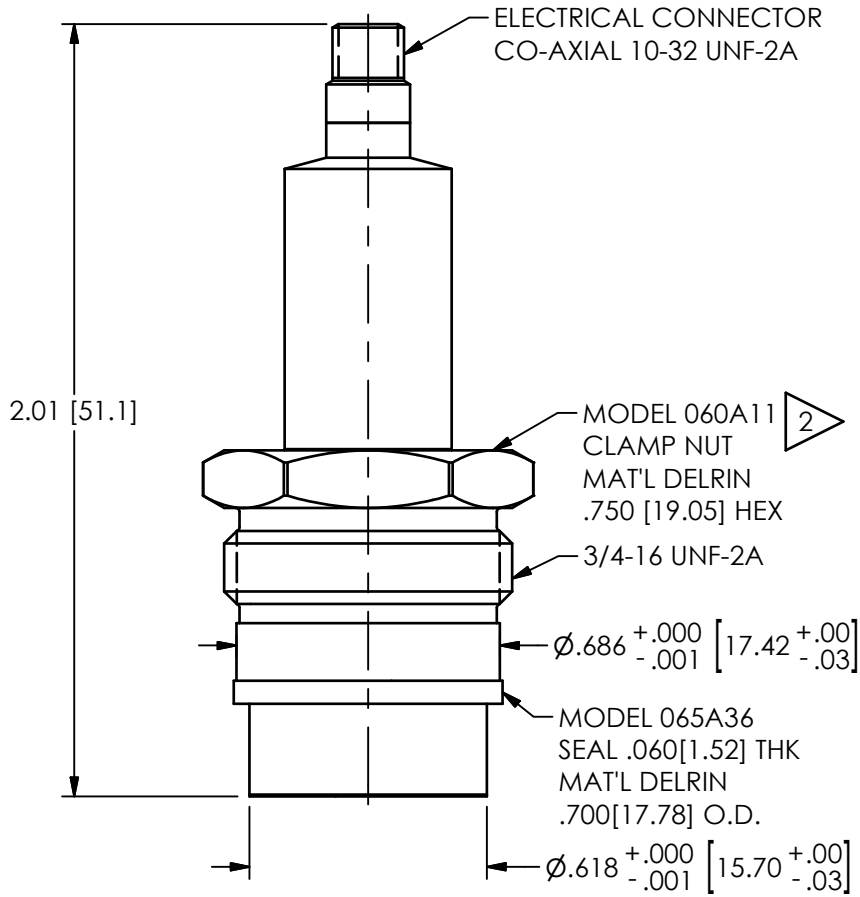
REVISIONS

REV	DESCRIPTION	DIN
A	UPDATED DIM .686 & .618	42253

22929

B

B



A

A

2 RECOMMENDED MOUNTING TORQUE ON 3/4 HEX 3-5 FT LBS [.415-.691 Kg-m]

1 DIMENSIONS SHOWN ARE FOR .700 [17.78] THICK WALL. COUNTERBORE THICKER WALLS.

UNLESS OTHERWISE SPECIFIED TOLERANCES ARE:		DRAWN		CHECKED		ENGINEER		 3425 WALDEN AVE. DEPEW, NY 14043 (716) 684-0001 E-MAIL: sales@pcb.com	
DIMENSIONS IN INCHES	DIMENSIONS IN MILLIMETERS [IN BRACKETS]	JDM	3/20/14	ECB	4/15/14	MJK	3/20/14		CODE IDENT. NO. <b>52681</b>
DECIMALS XX ±.01 XXX ±.005  ANGLES ± 2 DEGREES	DECIMALS X ± 0.3 XX ± 0.13  ANGLES ± 2 DEGREES	TITLE <b>INSTALLATION DRAWING          MODEL 106B52          OFF-GROUND PRESSURE SENSOR</b>							DWG. NO. <b>22929</b>
FILLETS AND RADII .003 - .005	FILLETS AND RADII 0.07 - 0.13	SCALE: 2X		SHEET 1 OF 1					

2

1

1

jmorawski 15:11 4/15/2014