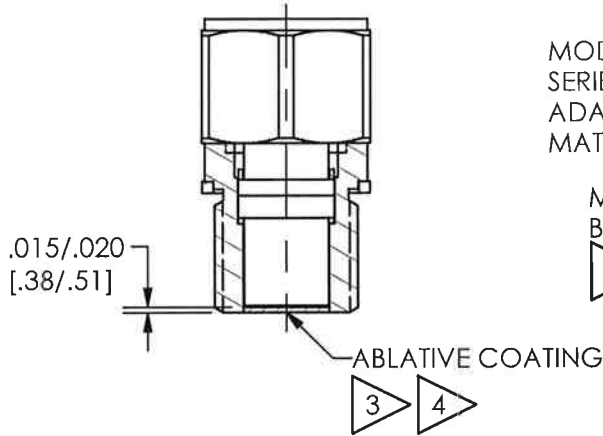


PCB Piezotronics Inc. claims proprietary rights in the information disclosed hereon. Neither it nor any reproduction thereof will be disclosed to others without the written consent of PCB Piezotronics Inc.

40737

| REVISIONS | | |
|-----------|------------------------------|-------|
| REV | DESCRIPTION | ECO |
| A | ADD ±.001 TOLERANCE TO Ø.437 | 29287 |
| B | ADD THREAD DIMENSION | 30028 |

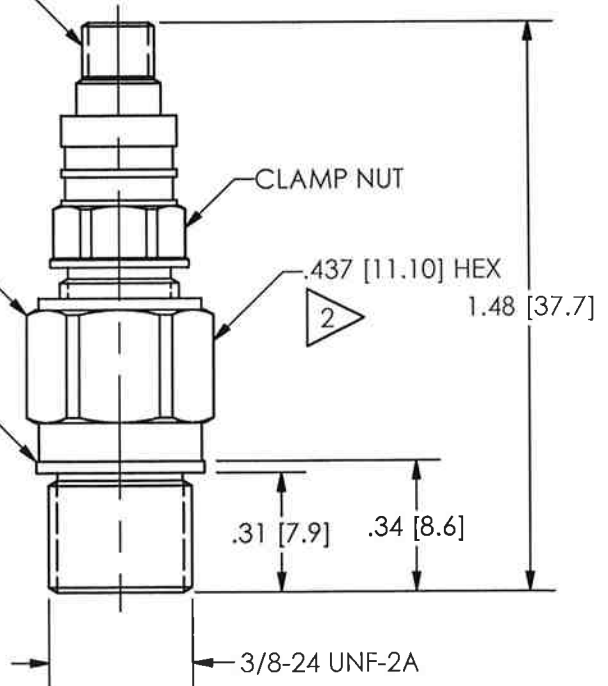
DETAIL "A"
ABLATIVE INSTALLATION



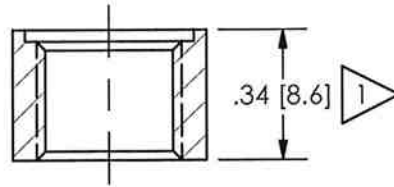
ELECTRICAL CONNECTOR
10-32 THREAD

MODEL 061A
SERIES
ADAPTOR BODY
MATERIAL: 17-4PH

MODEL 065A03
BRASS SEAL



MOUNTING HOLE PREPARATION
Ø.339 [8.61]
THRU
└─┘ Ø.437 ±.001 [11.10 ±.03]
X .030 [.76] ▽
3/8-24 UNF-2B
THRU



MOUNTING HOLE DETAIL

- 5 MODEL 065M29 ST STL SEAL AVAILABLE.
- 4 BLACK VINYL ELECTRICIANS TAPE HAS BEEN FOUND TO BE AN EFFECTIVE ABLATIVE MATERIAL, AS IS DC-4 SILICON GREASE.
- 3 "CA" OPTION ONLY.
- 2 MOUNTING TORQUE ON .437 [11.10] HEX: 5 - 8 FT LBS [6.78 - 10.85 NM].
- 1 ABOVE INSTALLATION SHOWN FOR WALL THICKNESS OF .34 [8.6] THICK. └─┘ THICKER WALLS Ø.75 [19.0] TO CLEAR .437 [11.10] HEX AND ALLOW FOR SOCKET WRENCH.

| UNLESS OTHERWISE SPECIFIED TOLERANCES ARE: | | DRAWN | MDF | 2/3/09 | MFG | PRR | 2/3/09 | 3425 WALDEN AVE. DEPEW, NY 14043 (716) 684-0001 E-MAIL: sales@pcb.com | |
|---|---|---|-----|--------|-------|-----|--------|--|----------------|
| DIMENSIONS IN INCHES | DIMENSIONS IN MILLIMETERS [IN BRACKETS] | CHK'D | ECB | 2409 | ENGR | NJL | 2/3/09 | | |
| DECIMALS XX ± .01 XXX ± .005 ANGLES ± 2 DEGREES | DECIMALS X ± 0.3 XX ± 0.13 ANGLES ± 2 DEGREES | APP'D | EB | 2/3/09 | SALES | TEG | 2/3/09 | | |
| | | TITLE | | | | | | CODE IDENT. NO. 52681 | DWG. NO. 40737 |
| FILLETS AND RADII .003 - .005 | | INSTALLATION DRAWING MODELS 102B15, 102B16, 102B18 SERIES PRESSURE SENSOR | | | | | | SCALE: 2 X | SHEET 1 OF 1 |